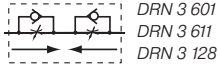


DRN 3 601/DRN 3 611/DRN 3 128

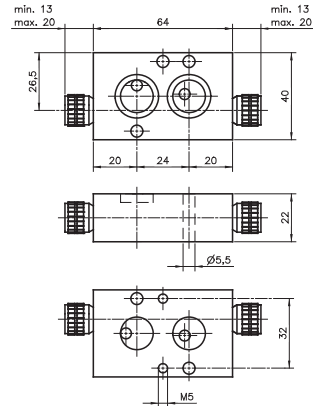


Block form flow regulator as intermediate plate, interface according to Namur standard, for 3/2-way valves with exhaust air recirculation.

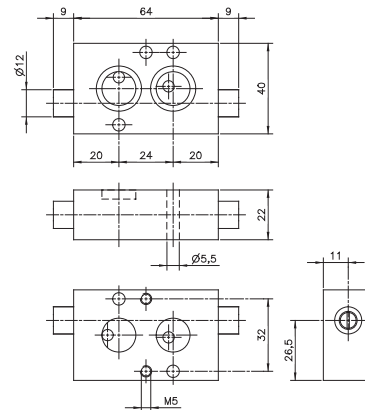
To regulate the forward stroke of a single acting pneumatic actuator and to regulate the exhaust air going into the spring return unit. DRN 3 601 and DRN 3 128 to be operated manually, DRN 3 611 with a screw-driver.

If flow regulator is required with G 1/4" ports, plate GPN 1/4 can be added. For details please refer to page 2.8.4.10.

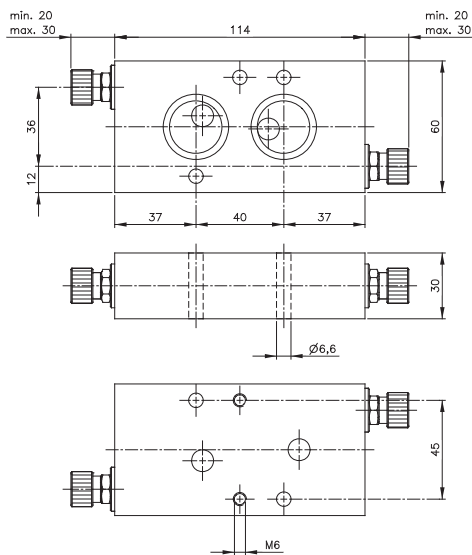
Delivery includes 1 pin, 2 screws, 2 O-rings.



DRN 3 601



DRN 3 611



DRN 3 128

Type	Function	Namur	Port size	Max. air flow	Operating pressure	Weight
DRN 3 601	3-way	1/4"	Ø 5 mm	650 l/min	0,5 - 10 bar	0,18 kg
DRN 3 611	3-way	1/4"	Ø 5 mm	650 l/min	0,5 - 10 bar	0,18 kg
DRN 3 128	3-way	1/2"	Ø 8 mm	1.500 l/min	0,5 - 10 bar	0,60 kg

