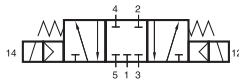
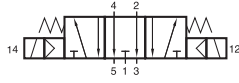


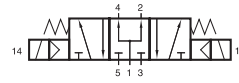
# MNH 531 701/MNH 532 701/MNH 533 701 MNH 531 101/MNH 531 121/MNK 531 701



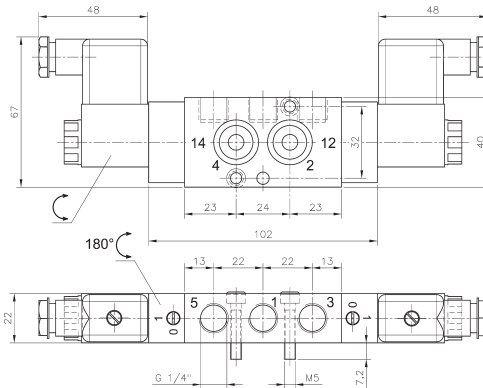
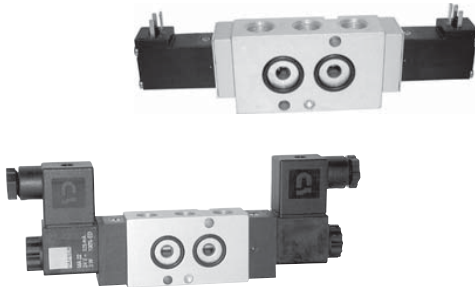
MNH 531 701  
MNH 531 101  
MNH 531 121  
MNK 531 701  
MNH 531 701 NPT  
MNH 531 121 NPT



MNH 532 701



MNH 533 701



**MNH 53\_701/MNH 531 701 NPT**

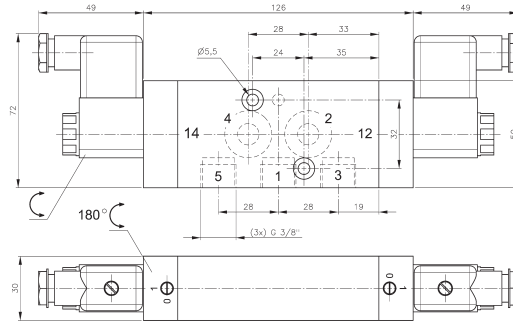
5/3-way solenoid valve with spring return to middle position. Interface according to Namur standard.

Type 531 centre closed  
Type 532 centre exhausted  
Type 533 centre pressurised

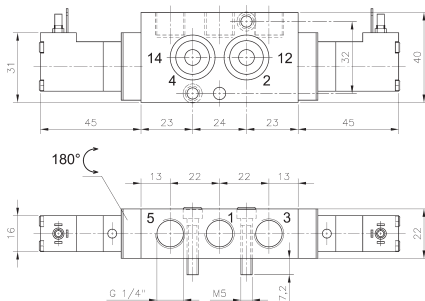
**MNH** generally with manual override to turn with actuators 230V/50Hz, 110V/50Hz, 24V/50Hz, 48V=, 24V=, 12V=.

**MNK** with manual override to push with actuators 230V/50Hz, 110V/50Hz, 24V/50Hz, 24V=, 12V=, 6V=.

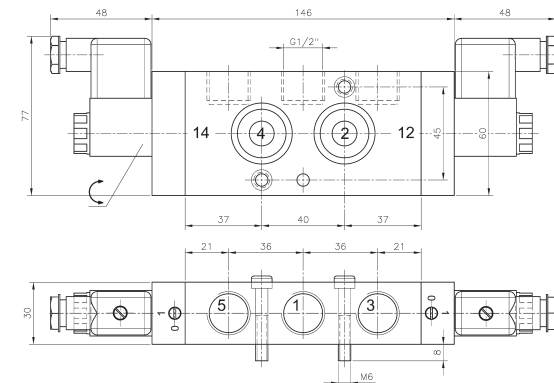
Delivery includes 1 pin, 2 screws and 2 O-rings.



**MNH 531 101**



**MNK 531 701**



**MNH 531 121/MNH 531 121 NPT**

Type	Namur	Port size	Air flow	Operating press.	Power cons.	Weight
MNH 53_701	1/4"	G 1/4"	1250 l/min	3 - 10 bar	3 W = / 5 VA ~	0,36 kg
MNH 531 101	1/4"	G 3/8"	2250 l/min	3 - 10 bar	3 W = / 5 VA ~	0,84 kg
MNH 531 121	1/2"	G 1/2"	3000 l/min	3 - 10 bar	3 W = / 5 VA ~	0,87 kg
MNK 531 701	1/4"	G 1/4"	1250 l/min	3 - 10 bar	1,8 W = / 3 VA ~	0,32 kg
MNH 531 701 NPT	1/4"	1/4" NPT	1250 l/min	3 - 10 bar	3 W = / 5 VA ~	0,36 kg
MNH 531 121 NPT	1/2"	1/2" NPT	3000 l/min	3 - 10 bar	3 W = / 5 VA ~	0,87 kg