

# MA 16/MA 16 L



MA 16



MA 16 L



16 mm wide solenoid system for valves type MD and MK, including valve-head.

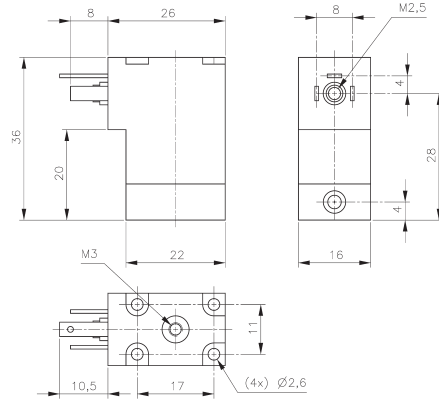
Coil made from 25 % glass filled thermoplastic PA material, epoxy filled. Valve head glass filled thermoplastic PA including a manual override to push.

### MA 16

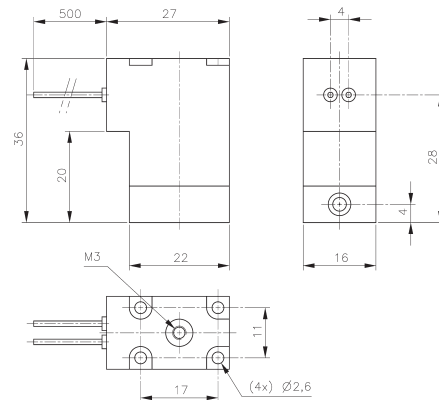
Interface form C (DIN EN 175301-803), with 8 mm contact distance, connectors are displayed on page 2. 11.3. Equipped with appropriate connector coil offers IP 65.

### MA 16 L (Flying leads version)

Have a standard cable length of 500 mm, others are available on request. The coils are not grounded, take national safety regulations into consideration!



MA 16



MA 16 L

Type	Voltage	Ampere	Power cons.	Connection
MA 16 6DC	6 V=	300 mA	1,8 W	Form C (DIN EN 175301-803)
MA 16 L 6DC	6 V=	300 mA	1,8 W	Flying leads 500 mm long
MA 16 12DC	12 V=	150 mA	1,8 W	Form C (DIN EN 175301-803)
MA 16 L 12DC	12 V=	150 mA	1,8 W	Flying leads 500 mm long
MA 16 24DC	24 V=	75 mA	1,8 W	Form C (DIN EN 175301-803)
MA 16 L 24DC	24 V=	75 mA	1,8 W	Flying leads 500 mm long
MA 16 24AC	24 V~	125 mA	3 VA	Form C (DIN EN 175301-803)
MA 16 L 24AC	24 V~	125 mA	3 VA	Flying leads 500 mm long
MA 16 110AC	110 V~	27 mA	3 VA	Form C (DIN EN 175301-803)
MA 16 L 110AC	110 V~	27 mA	3 VA	Flying leads 500 mm long
MA 16 230AC	230 V~	13 mA	3 VA	Form C (DIN EN 175301-803)
MA 16 L 230AC	230 V~	13 mA	3 VA	Flying leads 500 mm long