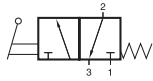
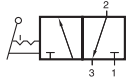


HV 311 701 VES/HVR 320 701 VES



HV 311 701 VES



HVR 320 701 VES



Lever actuated 3/2-way spool valve.

Body parts are made from stainless steel 316L / 1.4404, seals PUR and FKM.

Type HV spring return
Type HVR indexed

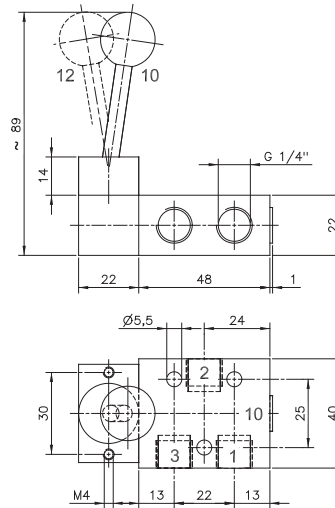
The lever is sealed by using a metal ball.

Exhaust can be throttled.

Versions with G 1/2" ports (3.000 l/min air-flow) are available on request.

NPT ported valves are available on request.

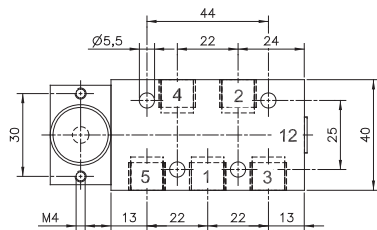
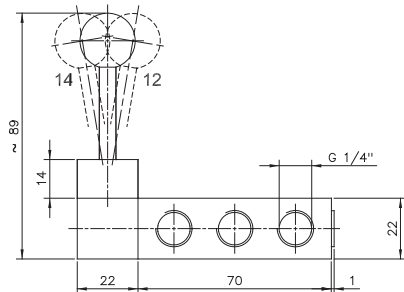
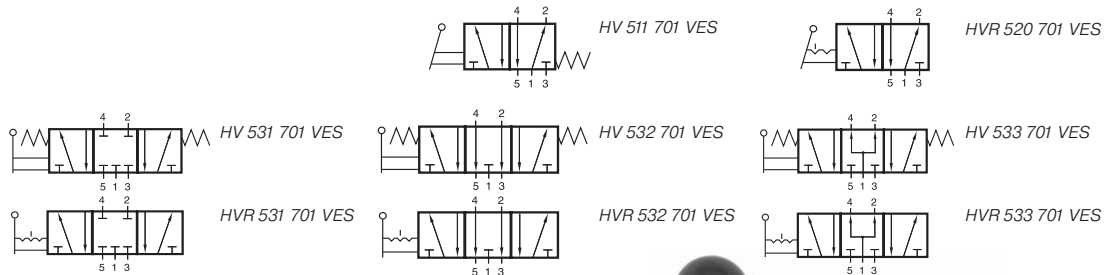
Due to the specific design of the internal parts pressure has to be applied to port 1. For other versions please contact the manufacturer.



HV 311 701 VES/HVR 320 701 VES

Type	Function	Port size	Air flow	Operating press.	Act. force	Weight
HV 311 701 VES	Spring ret.	G 1/4"	1250 l/min	1 - 10 bar	20 N	0,35 kg
HVR 320 701 VES	Indexed	G 1/4"	1250 l/min	1 - 10 bar	20 N	0,35 kg

HV 511 701 VES/HVR 520 701 VES HV 53_ 701 VES/HVR 53_ 701 VES



**HV 511 701 VES/HVR 520 701 VES/
HV_53_ 701 VES**



Lever actuated 5/2-way and 5/3-way spool valves.

Body parts are made from stainless steel 316L / 1.4404, seals PUR and FKM.

Type HV spring return
Type HVR indexed

Type 511 and 520		5/2-way
Type 531	centre closed	5/3-way
Type 532	centre exhausted	5/3-way
Type 533	centre pressurized	5/3-way

The lever is sealed by using a metal ball.

Exhaust can be throttled.

Versions with G 1/2" ports (3.000 l/min air-flow) are available on request.

NPT ported valves are available on request.

Due to the specific design of the internal parts pressure has to be applied to port 1. For other versions please contact the manufacturer.

Please notice: for type 531: pressure at port 1 has to be \geq pressure at 2 and 4. If pressure supply is lost, 2 or 4 can exhaust and actuator might move.

Type	Function	Port size	Air flow	Operating press.	Act. force	Weight
HV 511 701 VES	Spring ret.	G 1/4"	1250 l/min	1- 10 bar	20 N	0,50 kg
HVR 520 701 VES	Indexed	G 1/4"	1250 l/min	1- 10 bar	20 N	0,50 kg
HV 53_ 701 VES	Spring ret.	G 1/4"	1250 l/min	1- 10 bar	20 N	0,50 kg
HVR 53_ 701 VES	Indexed	G 1/4"	1250 l/min	1- 10 bar	20 N	0,50 kg