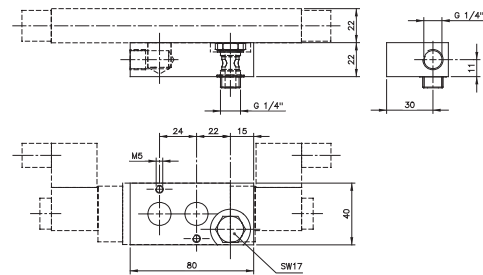
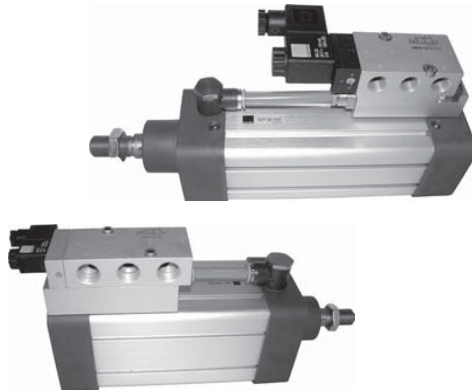
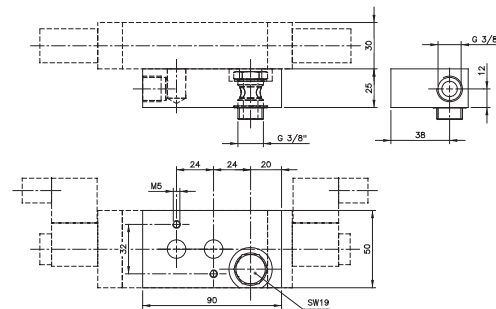


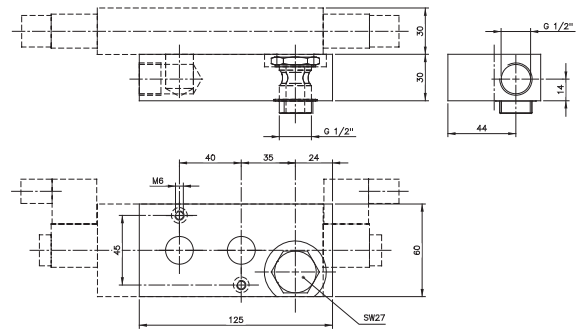
# ZVP 701/ZVP 101/ZVP 121/ZVP 121-701



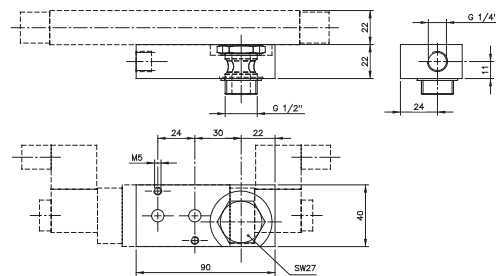
**ZVP 701**



**ZVP 101**



**ZVP 121**



**ZVP 121-701**

Plates to combine a Namur-valve with a double acting cylinder / the actuation-element of a knife-gate-valve.

ZVP 701 to be assembled onto a cylinder with G 1/4" ports (diameter 32, 40, 50 mm according to ISO 6431/ISO 15552). Designed for an orifice-size 7 mm in combination with e.g. MNH 510 711.

ZVP 101 to be assembled onto a cylinder with G 3/8" ports (diameter 63, 80 mm according to ISO 6431/ISO 15552). Designed for an orifice-size 10 mm in combination with e.g. MNH 510 101.

ZVP 121 to be assembled onto a cylinder with G 1/2" ports (diameter 100, 125 mm according to ISO 6431/ISO 15552). Designed for an orifice-size 12 mm in combination with e.g. MNH 510 121.

ZVP 121 - 701 to be assembled onto a cylinder with G 1/2" ports and equipped with a Namur-valve of 1/4" standard.

Plate can be equipped with different kinds of Namur-valves.

Delivery contains the plate and the banjo for one port.  
Straight male fittings and rotating elbow fittings to make the other connection can be supplied on request.

Type	Port A	Port B	Namur	Orifice	Weight
ZVP 701	Banjo G 1/4"	G 1/4"	1/4"	7 mm	0,35 kg
ZVP 101	Banjo G 3/8"	G 3/8"	1/4"	10 mm	0,40 kg
ZVP 121	Banjo G 1/2"	G 1/2"	1/2"	12 mm	0,45 kg
ZVP 121-701	Banjo G 1/2"	G 1/4"	1/4"	7 mm	0,35 kg