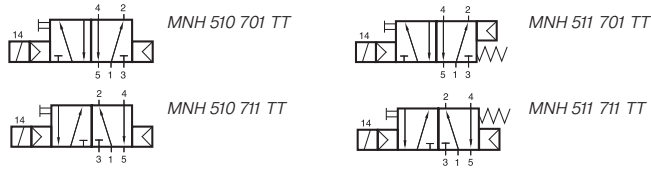


# MNH 510 701 TT/MNH 511 701 TT MNH 510 711 TT/MNH 511 711 TT



5/2-way solenoid valve, actuated by permanent signal for low temperature environment - 50° C to + 50° C. Interface according to 1/4" Namur standard.

Type MNH 510 7\_1 with pneumatic spring return  
Type MNH 511 7\_1 with combined spring.

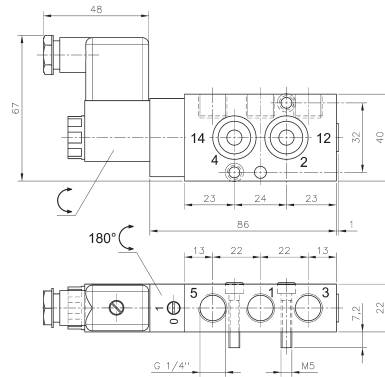
Available with actuators:  
230V/50Hz, 110V/50Hz, 24V/50Hz, 48V=,  
24V=, 12V=.

The valves are generally equipped with manual override to turn.

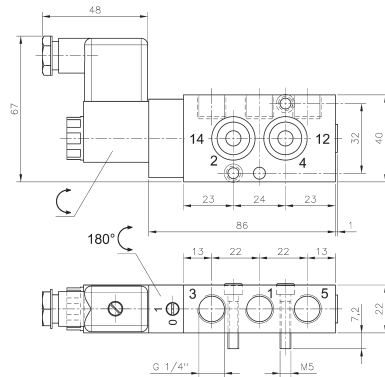
Please notice:  
When operated below 0° C the pressure condensation point has to be at least 15° C below the temperature of environment and media. Air has to be dried!  
Below - 40° C the leakage-rate of the valve can increase to 10 cm<sup>3</sup> /min.  
Use unlubricated air only.

Delivery includes 1 pin, 2 screws, 2 O-rings.

NPT ported valves are available on request.



**MNH 510 701 TT/MNH 511 701 TT**



**MNH 510 711 TT/MNH 511 711 TT**  
ports 2 and 4 are swapped!

Type	Port size	Air flow	Operating press.	Power consumption	Weight	
MNH 510 701 TT	G 1/4"	1250 l/min	2 - 10 bar	3 W = / 5 VA ~	0,28 kg	Ex
MNH 510 711 TT	G 1/4"	1250 l/min	2 - 10 bar	3 W = / 5 VA ~	0,28 kg	Ex
MNH 511 701 TT	G 1/4"	1250 l/min	3 - 10 bar	3 W = / 5 VA ~	0,28 kg	
MNH 511 711 TT	G 1/4"	1250 l/min	3 - 10 bar	3 W = / 5 VA ~	0,28 kg	