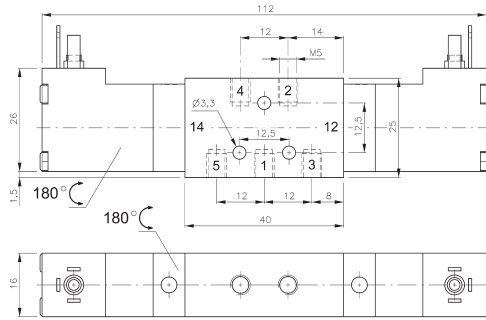
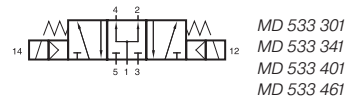
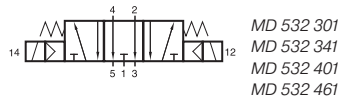
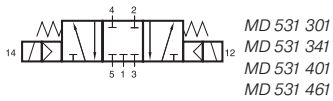
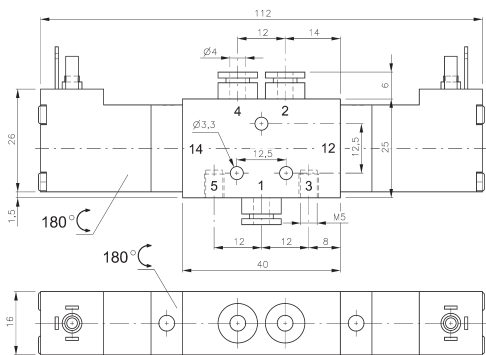


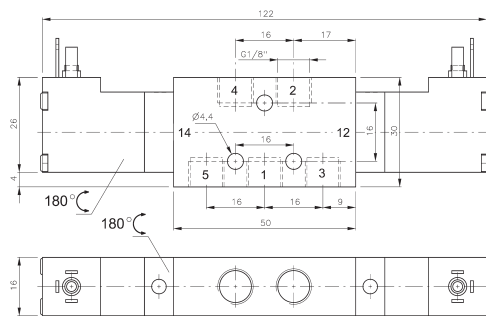
# MD 53\_301/MD 53\_341 MD 53\_401/MD 53\_461



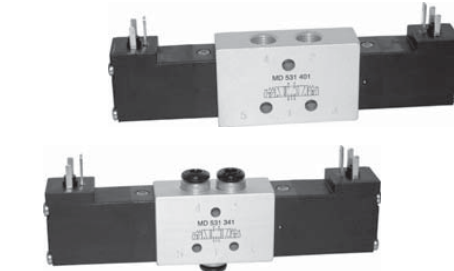
MD 53\_301



MD 53\_341



MD 53\_401



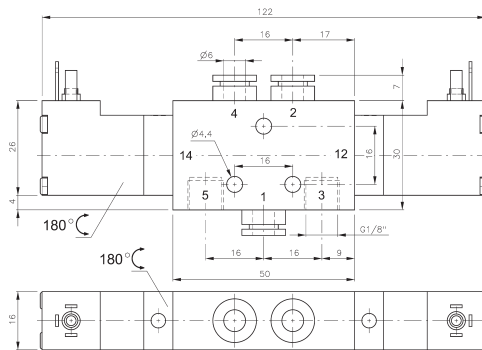
5/3-way solenoid valve with spring return to middle position, actuated by permanent signal.

- Type 531 centre closed
- Type 532 centre exhausted
- Type 533 centre pressurised

When ordering please complete the type number by 1, 2 or 3 according to the type required.

Available with solenoid operators:  
230V/50Hz, 110V/50Hz, 24V/50Hz, 24V=, 6V=  
either for connector form C ISO 15217 or with flying leads, standard cable length 500 mm. For details about solenoid system, please refer to page 2.11.1.

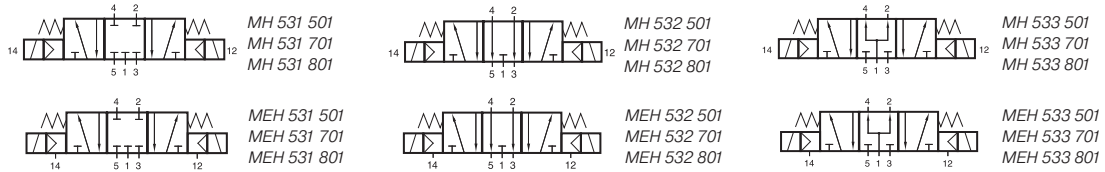
Valves are generally equipped with manual override to push.



MD 53\_461

Type	Ports 1, 2, 4	Air flow	Operating press.	Powerconsumption	Weight
MD 53_301	M5	280 l/min	3 - 10 bar	1,8 W = / 3,0 VA ~	0,13 kg
MD 53_341	pif 4 mm	280 l/min	3 - 10 bar	1,8 W = / 3,0 VA ~	0,14 kg
MD 53_401	G 1/8"	450 l/min	3 - 10 bar	1,8 W = / 3,0 VA ~	0,15 kg
MD 53_461	pif 6 mm	450 l/min	3 - 10 bar	1,8 W = / 3,0 VA ~	0,16 kg

# MH 53\_ 501/MH 53\_ 701/MH 53\_ 801



5/3-way solenoid valve with spring return to middle position, actuated by permanent signal.

- Type 531 centre closed
- Type 532 centre exhausted
- Type 533 centre pressurised

When ordering please complete the type number by 1, 2 or 3 according to the type required.

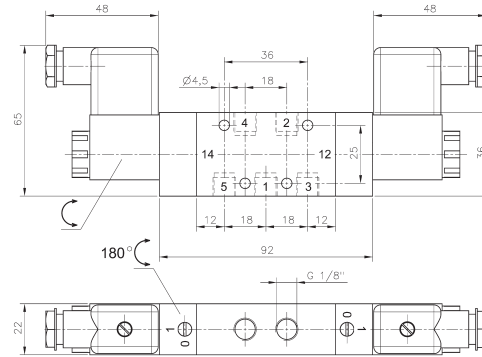
Available with solenoid operators:  
230V/50Hz, 110V/50Hz, 24V/50Hz, 48V=  
24V =, 12V=.

Valves are generally equipped with manual override.  
If requested without manual override please order M 53\_ \_ \_ \_.

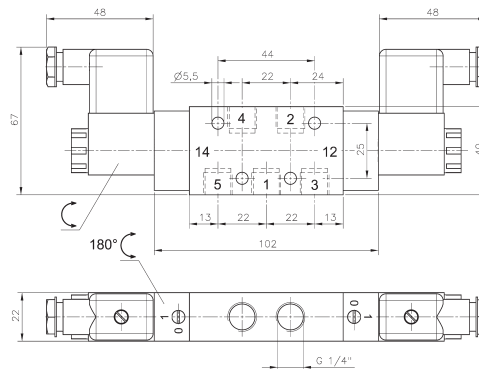
Valves are also available with external pilot feed.  
Type: MEH 53\_ \_ \_ \_ (please add 1 digit for type and 3 digits for size).

Ports 12 and 14 series 501 and 701: M5,  
series 801: G 1/8".

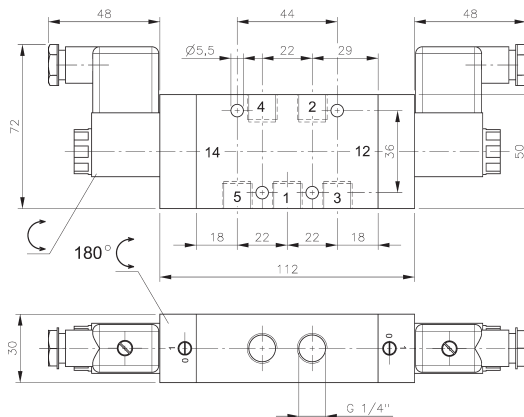
Minimum actuation pressure: 3 bar.  
Version for vacuum on request.



**MH 53\_ 501**



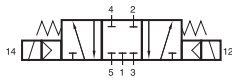
**MH 53\_ 701**



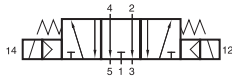
**MH 53\_ 801**

Type	Port size	Air flow	Operating press.	Power cons.	Weight
MH 53_ 501	G 1/8"	650 l/min	3 - 10 bar	3 W = / 5 VA ~	0,33 kg
MH 53_ 701	G 1/4"	1250 l/min	3 - 10 bar	3 W = / 5 VA ~	0,35 kg  MK
MH 53_ 801	G 1/4"	1450 l/min	3 - 10 bar	3 W = / 5 VA ~	0,62 kg

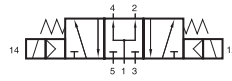
# MH 53\_101/MH 53\_121/MH 53\_181



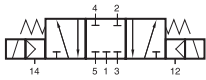
MH 531 101  
MH 531 121  
MH 531 181  
MH 531 121 NPT



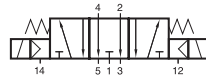
MH 532 101  
MH 532 121  
MH 532 181  
MH 532 121 NPT



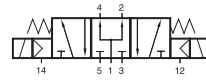
MH 533 101  
MH 533 121  
MH 533 181  
MH 533 121 NPT



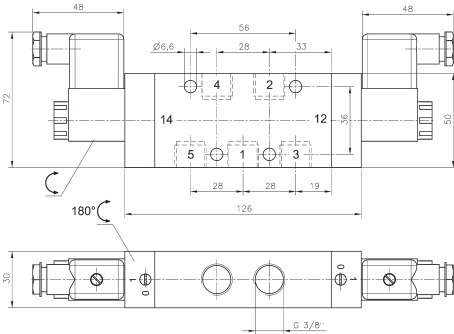
MEH 531 101  
MEH 531 121  
MEH 531 181



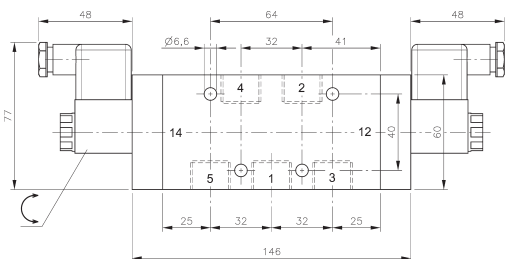
MEH 532 101  
MEH 532 121  
MEH 532 181



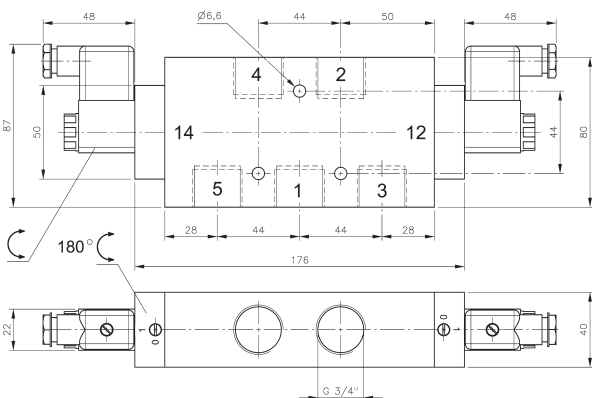
MEH 533 101  
MEH 533 121  
MEH 533 181



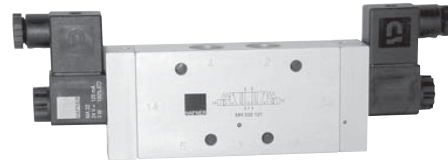
MH 53\_101



MH 53\_121/MH 53\_121 NPT



MH 53\_181



5/3-way solenoid valve with spring return to middle position, actuated by permanent signal.

- Type 531 centre closed
- Type 532 centre exhausted
- Type 533 centre pressurised

When ordering please complete the type number by 1, 2 or 3 according to the type required.

Available with solenoid operators:  
230V/50Hz, 110V/50Hz, 24V/50Hz, 48V=,  
24V =, 12V=.

Valves are generally equipped with manual override.  
If requested without manual override please order  
M 53\_ \_\_\_\_.

Valves are also available with external pilot feed.  
Type: MEH 53\_ \_\_\_\_ (please add 1 digit for type  
and 3 digits for size).

Ports 12 and 14: G 1/8".

Minimum actuation pressure: 3 bar.

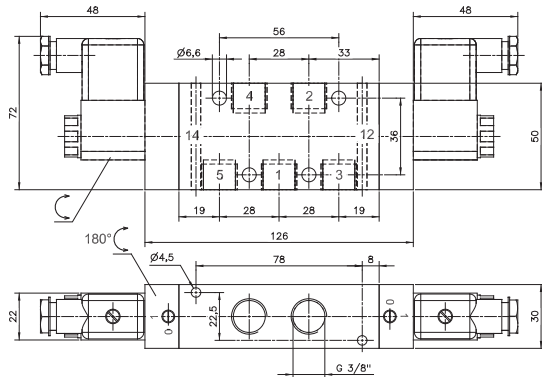
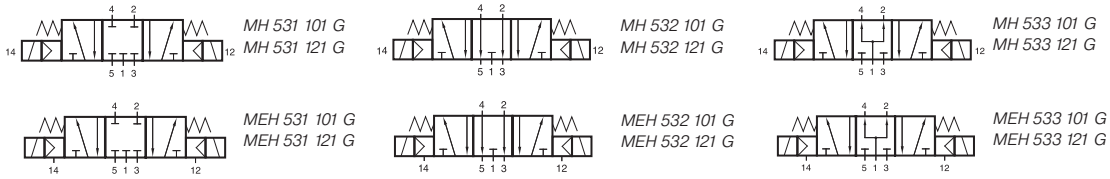
Version for vacuum on request.

Type	Port size	Air flow	Operating press.	Power consumption	Weight
MH 53_101	G 3/8"	2250 l/min	3 - 10 bar	3 W = / 5 VA ~	0,66 kg
MH 53_121	G 1/2"	3000 l/min	3 - 10 bar	3 W = / 5 VA ~	0,84 kg
MH 53_181	G 3/4"	6000 l/min	3 - 10 bar	3 W = / 5 VA ~	1,45 kg
MH 53_121 NPT	1/2" NPT	3000 l/min	3 - 10 bar	3 W = / 5 VA ~	0,84 kg

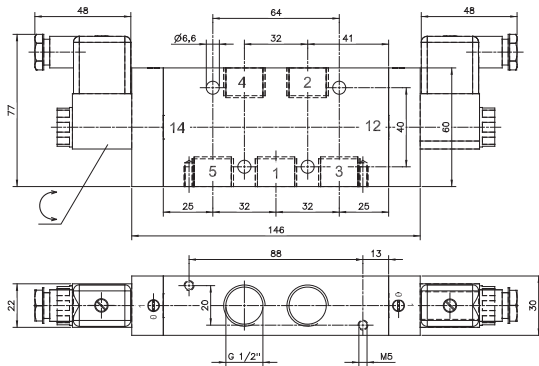




# MH 53\_ 101 G/MH 53\_121 G



**MH 53\_ 101 G**



**MH 53\_121 G**



5/3-way solenoid valve with spring return to middle position, actuated by permanent signal.

- Type 531    centre closed
- Type 532    centre exhausted
- Type 533    centre pressurised

When ordering please complete the type number by 1, 2 or 3 according to the type required.

Valves can either be used in-line or on a manifold plate. Manifolds for valves type 101 G are displayed on page 2.6.2.4, manifolds for valves type 121 G are displayed on page 2.6.2.5.

Available with solenoid operators:  
230V/50Hz, 110V/50Hz, 24V/50Hz, 48V=, 24V=, 12V=.

Valves are generally equipped with manual override. If requested without manual override please order M 53\_ \_\_\_ G.

Valves are also available with external pilot feed. Type: MEH 53\_ \_\_\_ G (please add 1 digit for type and 3 digits for size).

Ports 12 and 14: G 1/8".

Minimum actuation pressure: 3 bar.

Version for vacuum on request.

Type	Port size	Air flow	Operating press.	Power consumption	Weight
MH 53_ 101 G	G 3/8"	2250 l/min	3 - 10 bar	3 W = / 5 VA ~	0,66 kg
MH 53_ 121 G	G 1/2"	3000 l/min	3 - 10 bar	3 W = / 5 VA ~	0,84 kg

