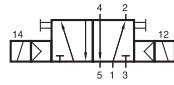
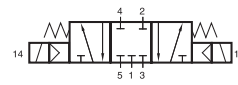


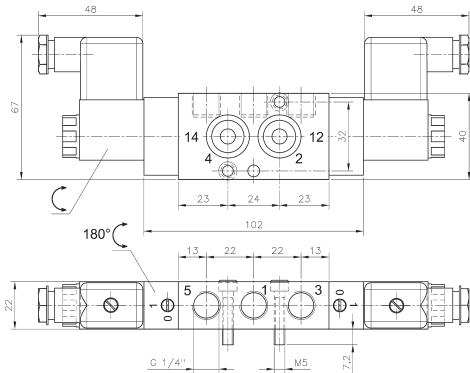
MNH 520 701 TT/MNH 531 701 TT



MNH 520 701 TT



MNH 531 701 TT



MNH 520 701 TT/MNH 531 701 TT



5-way solenoid valve for low temperature environment - 50° C to + 50° C. Interface according to 1/4" Namur standard.

- Type 520 5/2-way double solenoid, actuated by impulse.
- Type 531 5/3-way centre closed. Other 5/3-way versions available on request.

Available with solenoid operators
230V/50 Hz, 110V/50 Hz, 24V/50 Hz, 48V=, 24V=, 12V=.

Valves are equipped with manual override to turn.

Please notice:
When operated below 0° C the pressure condensation point has to be at least 15° C below the temperature of environment and media. Air has to be dried!
Below - 40° C the leakage-rate of the valve can increase to 10 cm³ /min.
Use unlubricated air only.

For type 531: pressure at port 1 has to be ≥ pressure at 2 and 4. If pressure supply is lost, 2 or 4 can exhaust and actuator might move.

Delivery includes 1 pin, 2 screws, 2 O-rings.

NPT ported valves are available on request.

Type	Function	Port size	Air flow	Operating pressure	Power consumption	Weight	
MNH 520 701 TT	5/2 double sol.	G 1/4"	1250 l/min	2 - 10 bar	3 W = / 5 VA ~	0,41 kg	Ex
MNH 531 701 TT	5/3 centre closed	G 1/4"	1250 l/min	3 - 10 bar	3 W = / 5 VA ~	0,41 kg	Ex