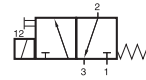
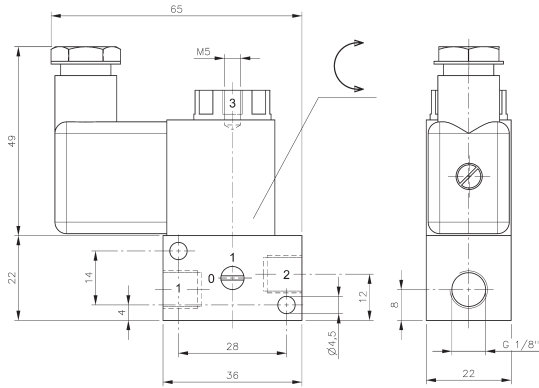


MH 311 015 VES



MH 311 015 VES



MH 311 015 VES



Direct acting 3/2-way solenoid valve equipped with mechanical spring return.

Valve body is made from stainless steel, material: 1.4404.
Plunger-seals are made of FKM.

Normally closed, port 1 and 2 in the valve, port 3 at the top of the solenoid.

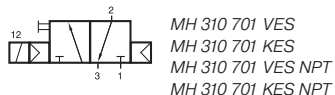
By closing port 3 valve can be converted into a 2/2-way valve.

Available with solenoid operators:
230V/50Hz, 110V/50Hz, 24V/50Hz, 48V=,
24V~, 12V=.

Valves are generally equipped with manual override.

Type	Function	Port size			Air flow	Operating pressure	Power consumption	Weight
		1	2	3				
MH 311 015 VES	n.c.	G 1/8"	G 1/8"	M5	50 l/min	0 - 10 bar	3 W = / 5 VA ~	0,14 kg

MH 310 701 VES/MH 310 701 KES MOH 310 701 VES/MOH 310 701 KES

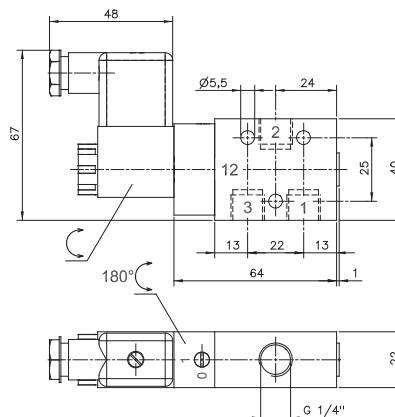


3/2-way solenoid valve normally closed (MH) or normally open (MOH) actuated by permanent signal and equipped with air spring return.

Body parts are made from stainless steel 316L / 1.4404. Customer has the choice between two versions VES and KES, for details refer to the table below.

Available with solenoid operators :
230V/50Hz, 110V/50Hz, 24V/50Hz, 48V=,
24V=, 12V=.

Valves are equipped with manual override to be turned.

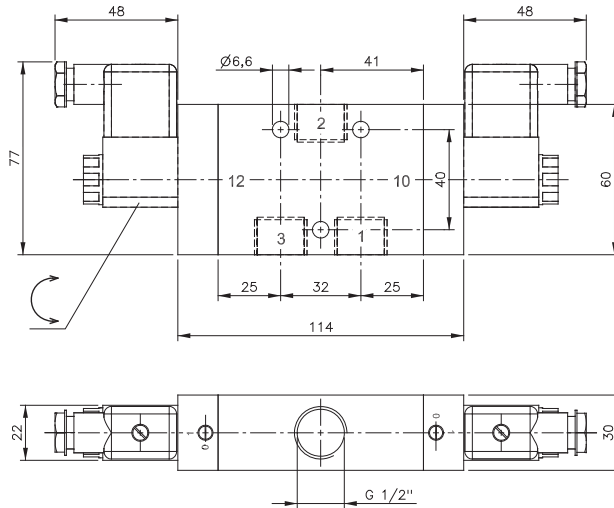
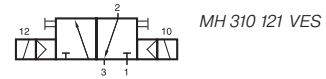


MH 310 701 VES/KES
MOH 310 701 VES/KES
MH 310 701 VES/KES NPT
MOH 310 701 VES/KES NPT

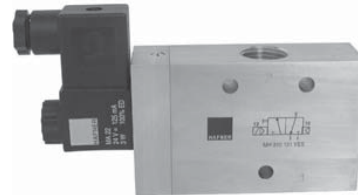
Type	Pilot head	Seals	Other rubber parts
VES	1.4404	PUR	FKM
KES	PA	PUR	FKM

Type	Function	Port size	Air flow	Oper. press.	Power cons.	Weight
MH 310 701 VES	n.c.	G 1/4"	1250 l/min	2 - 10 bar	3 W = / 5 VA ~	0,42 kg ❄️⊕
MH 310 701 KES	n.c.	G 1/4"	1250 l/min	2 - 10 bar	3 W = / 5 VA ~	0,35 kg
MOH 310 701 VES	n.o.	G 1/4"	1250 l/min	2 - 10 bar	3 W = / 5 VA ~	0,42 kg ❄️⊕
MOH 310 701 KES	n.o.	G 1/4"	1250 l/min	2 - 10 bar	3 W = / 5 VA ~	0,35 kg
MH 310 701 VES NPT	n.c.	1/4" NPT	1250 l/min	2 - 10 bar	3 W = / 5 VA ~	0,42 kg ❄️⊕
MH 310 701 KES NPT	n.c.	1/4" NPT	1250 l/min	2 - 10 bar	3 W = / 5 VA ~	0,35 kg
MOH 310 701 VES NPT	n.o.	1/4" NPT	1250 l/min	2 - 10 bar	3 W = / 5 VA ~	0,42 kg ❄️⊕
MOH 310 701 KES NPT	n.o.	1/4" NPT	1250 l/min	2 - 10 bar	3 W = / 5 VA ~	0,35 kg

MH 310 121 VES



MH 310 121 VES
MH 310 121 VES NPT



Type MH 310 121 VES 3/2-way solenoid valve normally closed actuated by permanent signal and equipped with air spring return.

Body parts are made from stainless steel 316L / 1.4404, rubber parts are made from FKM.

Valves are available with solenoid operators: 230V/50Hz, 110V/50Hz, 24V/50Hz, 48V=, 24V=, 12V=.

Valves are equipped with manual override to be turned.

Normally open version on request.

Type	Function	Port size	Air flow	Oper. Press.	Power cons.	Weight
MH 310 121 VES	n.c.	G 1/2"	3000 l/min	1 - 10 bar	3 W = / 5 VA ~	1,20 kg
MH 310 121 VES NPT	n.c.	G 1/2"	3000 l/min	1 - 10 bar	3 W = / 5 VA ~	1,20 kg

MH 510 701 VES/MH 510 701 KES MH 510 121 VES



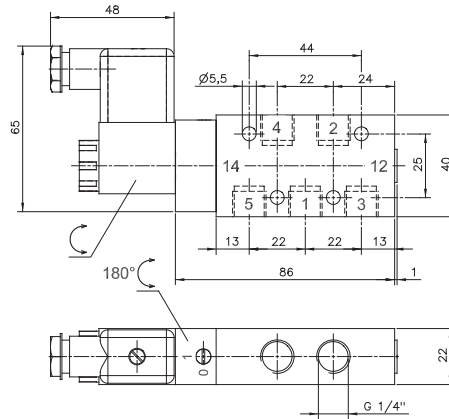
5/2-way solenoid valves actuated by permanent signal and equipped with air spring return.

Body parts are made from stainless steel 316L / 1.4404.

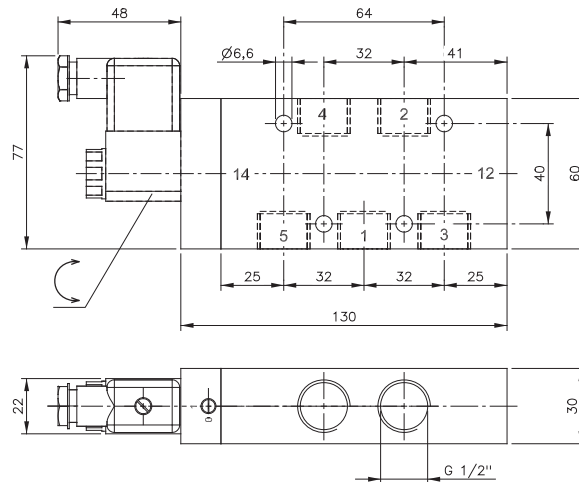
For series 701 the customer has the choice between two versions VES and KES, for details refer to the table below.

Available with solenoid operators :
230V/50Hz, 110V/50Hz, 24V/50Hz, 48V=, 24V=, 12V=.

Valves are equipped with manual override to be turned.



**MH 510 701 VES/KES
MH 510 701 VES/KES NPT**



**MH 510 121 VES
MH 510 121 VES NPT**

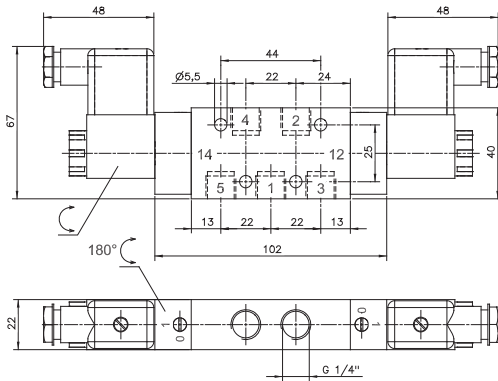
Type	Pilot head	Seals	Other rubber parts
701 VES	1.4404	PUR	FKM
701 KES	PA	PUR	FKM
121 VES	1.4404	FKM	FKM

Type	Function	Port size	Air flow	Oper. press.	Power cons.	Weight
MH 510 701 VES	single sol.	G 1/4"	1250 l/min	2 - 10 bar	3 W = / 5 VA ~	0,53 kg ❄️⊕
MH 510 701 KES	single sol.	G 1/4"	1250 l/min	2 - 10 bar	3 W = / 5 VA ~	0,46 kg
MH 510 701 VES NPT	single sol.	1/4" NPT	1250 l/min	2 - 10 bar	3 W = / 5 VA ~	0,53 kg ❄️⊕
MH 510 701 KES NPT	single sol.	1/4" NPT	1250 l/min	2 - 10 bar	3 W = / 5 VA ~	0,46 kg
MH 510 121 VES	single sol.	G 1/2"	3000 l/min	2 - 10 bar	3 W = / 5 VA ~	1,50 kg ⊕
MH 510 121 VES NPT	single sol.	1/2" NPT	3000 l/min	2 - 10 bar	3 W = / 5 VA ~	1,50 kg ⊕

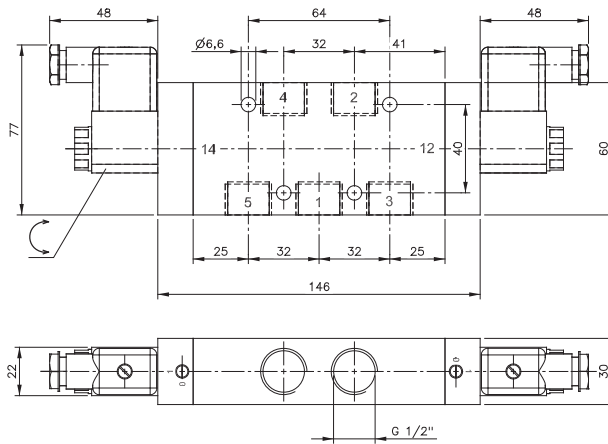
MH 520 701 VES/MH 520 701 KES MH 520 121 VES



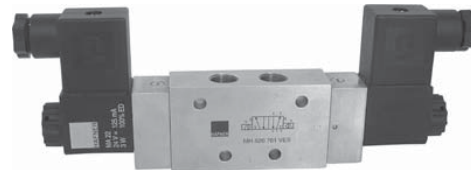
MH 520 701 VES/KES
MH 520 701 VES/KES NPT
MH 520 121 VES
MH 520 121 VES NPT



**MH 520 701 VES/KES
MH 520 701 VES/KES NPT**



**MH 520 121 VES
MH 520 121 VES NPT**



5/2-way double solenoid valves.
Position is kept until an electrical signal is applied to the opposite side even when not attached to an electrical source.

Body parts are made from stainless steel 316L / 1.4404, rubber parts FKM, PUR (series 701).
Series 701: Customer has the choice between two versions KES and VES, for details refer to the table below.

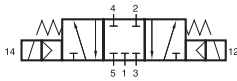
Valves are available with solenoid operators:
230V/50Hz, 110V/50Hz, 24V/50Hz, 48V=, 24V=, 12V=.

Valves are equipped with manual override to be turned.

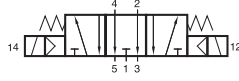
Type	Pilot head	Seals	Other rubber parts
701 VES	1.4404	PUR	FKM
701 KES	PA	PUR	FKM
121 VES	1.4404	FKM	FKM

Type	Port size	Air flow	Oper. Press.	Power cons.	Weight
MH 520 701 VES	G 1/4"	1250 l/min	2 - 10 bar	3 W = / 5 VA ~	0,74 kg
MH 520 701 KES	G 1/4"	1250 l/min	2 - 10 bar	3 W = / 5 VA ~	0,60 kg
MH 520 701 VES NPT	1/4" NPT	1250 l/min	2 - 10 bar	3 W = / 5 VA ~	0,74 kg
MH 520 701 KES NPT	1/4" NPT	1250 l/min	2 - 10 bar	3 W = / 5 VA ~	0,60 kg
MH 520 121 VES	G 1/2"	3000 l/min	1 - 10 bar	3 W = / 5 VA ~	1,70 kg
MH 520 121 VES NPT	1/2" NPT	3000 l/min	1 - 10 bar	3 W = / 5 VA ~	1,70 kg

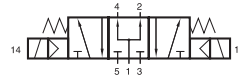
MH 53_ 701 VES/MH 53_ 701 KES MH 53_ 121 VES



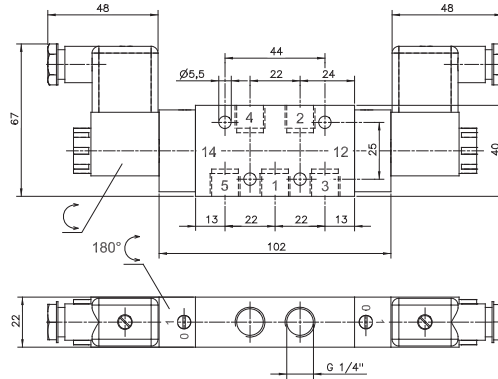
MH 531 701 VES/KES
MH 531 701 VES/KES NPT
MH 531 121 VES
MH 531 121 VES NPT



MH 532 701 VES/KES
MH 532 701 VES/KES NPT
MH 532 121 VES
MH 532 121 VES NPT



MH 533 701 VES/KES
MH 533 701 VES/KES NPT
MH 533 121 VES
MH 533 121 VES NPT



5/3-way valves actuated with spring return to middle position, actuated by permanent signal.

Body parts are made from stainless steel 316L / 1.4404, rubber parts FKM, PUR (series 701). Series 701: Customer has the choice between two versions KES and VES, for details refer to the table below.

Type 531 centre closed
Type 532 centre exhausted
Type 533 centre pressurized

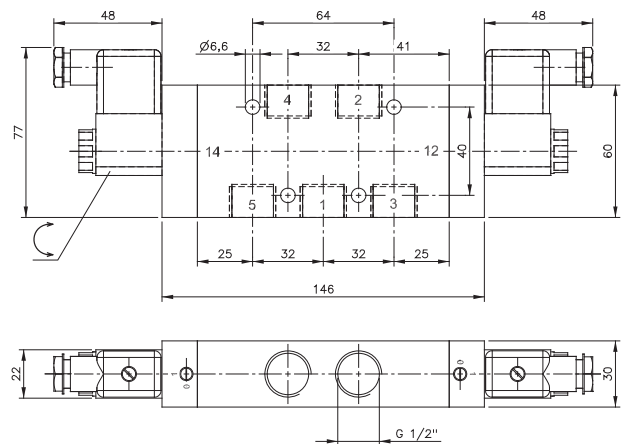
When ordering please complete the type number by 1, 2 or 3 according to the type required.

Valves are available with solenoid operators: 230V/50Hz, 110V/50Hz, 24V/50Hz, 48V=, 24V=, 12V=.

Valves are equipped with manual override to be turned.

For type 531: pressure at port 1 has to be >= pressure at 2 and 4. If pressure supply is lost, 2 or 4 can exhaust and actuator might move.

MH 53_ 701 VES/KES
MH 53_ 701 VES/KES NPT

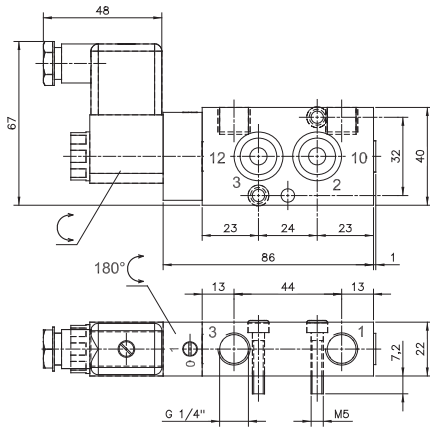
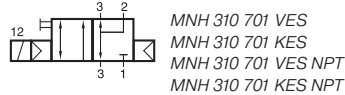


MH 53_ 121 VES
MH 53_ 121 VES NPT

Type	Pilot head	Seals	Other rubber parts
701 VES	1.4404	PUR	FKM
701 KES	PA	PUR	FKM
121 VES	1.4404	FKM	FKM

Type	Port size	Air flow	Oper. Press.	Power cons.	Weight
MH 53_ 701 VES	G 1/4"	1250 l/min	3 - 10 bar	3 W = / 5 VA ~	0,74 kg
MH 53_ 701 KES	G 1/4"	1250 l/min	3 - 10 bar	3 W = / 5 VA ~	0,60 kg
MH 53_ 701 VES NPT	1/4" NPT	1250 l/min	3 - 10 bar	3 W = / 5 VA ~	0,74 kg
MH 53_ 701 KES NPT	1/4" NPT	1250 l/min	3 - 10 bar	3 W = / 5 VA ~	0,60 kg
MH 53_ 121 VES	G 1/2"	3000 l/min	3 - 10 bar	3 W = / 5 VA ~	1,70 kg
MH 53_ 121 VES NPT	1/2" NPT	3000 l/min	3 - 10 bar	3 W = / 5 VA ~	1,70 kg

MNH 310 701 VES/MNH 310 701 KES MNH 311 701 VES/MNH 311 701 KES



MNH 310 701 VES/KES
MNH 311 701 VES/KES
MNH 310 701 VES/KES NPT
MNH 311 701 VES/KES NPT



3/2-way solenoid valve, actuated by permanent signal. Interface according to 1/4" Namur standard, with exhaust air recirculation (purge).

Type MNH 310 701 with pneumatic spring return.
Type MNH 311 701 with combined spring assuring a fail-safe function in case of cut-off of pressure supply.

Body parts are made from stainless steel 316L / 1.4404. Customer has the choice between two versions VES and KES, for details refer to the table below.

Available with solenoid operators :
230V/50Hz, 110V/50Hz, 24V/50Hz, 48V=,
24V=, 12V=.

Valves are equipped with manual override to be turned.

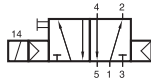
Delivery includes 1 pin, 2 screws, 2 O-rings.

Namur 2 (1/2") on request.

Type	Pilot head	Seals	Other rubber parts
VES	1.4404	PUR	FKM
KES	PA	PUR	FKM

Type	Function	Port size	Air flow	Oper. press.	Power cons.	Weight
MNH 310 701 VES	air-spring	G 1/4"	1250 l/min	1,5 - 10 bar	3 W = / 5 VA ~	0,57 kg ❄️⊕
MNH 310 701 KES	air-spring	G 1/4"	1250 l/min	1,5 - 10 bar	3 W = / 5 VA ~	0,49 kg
MNH 311 701 VES	comb. spring	G 1/4"	1250 l/min	2,5 - 10 bar	3 W = / 5 VA ~	0,57 kg ❄️
MNH 311 701 KES	comb. spring	G 1/4"	1250 l/min	2,5 - 10 bar	3 W = / 5 VA ~	0,49 kg
MNH 310 701 VES NPT	air-spring	1/4" NPT	1250 l/min	1,5 - 10 bar	3 W = / 5 VA ~	0,57 kg ❄️⊕
MNH 310 701 KES NPT	air-spring	1/4" NPT	1250 l/min	1,5 - 10 bar	3 W = / 5 VA ~	0,49 kg
MNH 311 701 VES NPT	comb. spring	1/4" NPT	1250 l/min	2,5 - 10 bar	3 W = / 5 VA ~	0,57 kg ❄️
MNH 311 701 KES NPT	comb. spring	1/4" NPT	1250 l/min	2,5 - 10 bar	3 W = / 5 VA ~	0,49 kg

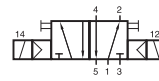
MNH 510 701 VES/MNH 510 701 KES MNH 511 701 VES/MNH 511 701 KES MNH 520 701 VES/MNH 520 701 KES



MNH 510 701 VES
MNH 510 701 KES
MNH 510 701 VES NPT
MNH 510 701 KES NPT



MNH 511 701 VES
MNH 511 701 KES
MNH 511 701 VES NPT
MNH 511 701 KES NPT



MNH 520 701 VES
MNH 520 701 KES
MNH 520 701 VES NPT
MNH 520 701 KES NPT



5/2-way solenoid valve.

Type MH 510 ___ single solenoid actuated by permanent signal and equipped with air spring return.

Type MH 520 ___ double solenoid actuated by impulse. Position is kept until an electric signal is applied to the opposite side even when not attached to an electrical source.

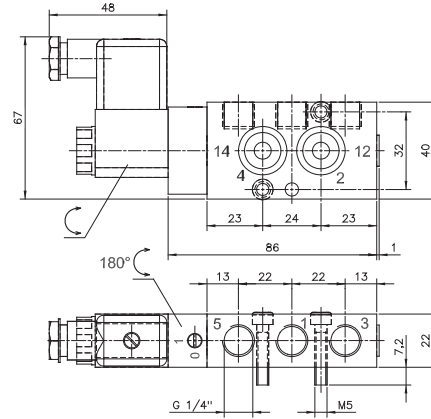
Body parts are made from stainless steel 316L / 1.4404. Customer has the choice between two versions VES and KES, for details refer to the table below.

Available with solenoid operators :
230V/50Hz, 110V/50Hz, 24V/50Hz, 48V=,
24V=, 12V=.

Valves are equipped with manual override to be turned.

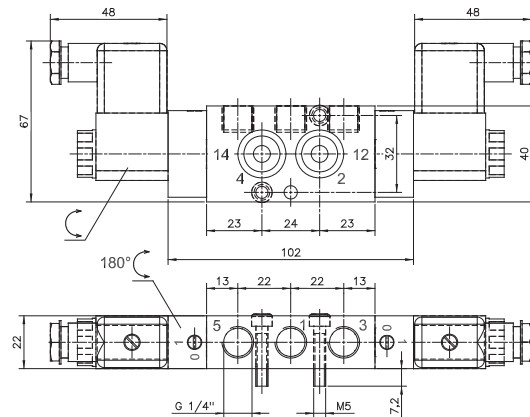
Delivery includes 1 pin, 2 screws, 2 O-rings.

5/3-way valves and Namur 2 (1/2") on request.



**MNH 510 701 VES/KES
MNH 511 701 VES/KES**

**MNH 510 701 VES/KES NPT
MNH 511 701 VES/KES NPT**

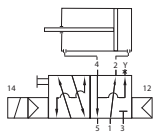


**MNH 520 701 VES/KES
MNH 520 701 VES/KES NPT**

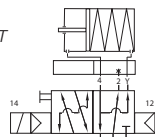
Type	Pilot head	Seals	Other rubber parts
VES	1.4404	PUR	FKM
KES	PA	PUR	FKM

Type	Function	Port size	Air flow	Oper. press.	Power cons.	Weight
MNH 510 701 VES	air-spring	G 1/4"	1250 l/min	1,5 - 10 bar	3 W = / 5 VA ~	0,57 kg
MNH 510 701 KES	air-spring	G 1/4"	1250 l/min	1,5 - 10 bar	3 W = / 5 VA ~	0,49 kg
MNH 511 701 VES	comb. spring	G 1/4"	1250 l/min	2,5 - 10 bar	3 W = / 5 VA ~	0,57 kg
MNH 511 701 KES	comb. spring	G 1/4"	1250 l/min	2,5 - 10 bar	3 W = / 5 VA ~	0,49 kg
MNH 520 701 VES	double sol.	G 1/4"	1250 l/min	2 - 10 bar	3 W = / 5 VA ~	0,67 kg
MNH 520 701 KES	double sol.	G 1/4"	1250 l/min	2 - 10 bar	3 W = / 5 VA ~	0,58 kg
MNH 510 701 VES NPT	air-spring	1/4" NPT	1250 l/min	1,5 - 10 bar	3 W = / 5 VA ~	0,57 kg
MNH 510 701 KES NPT	air-spring	1/4" NPT	1250 l/min	1,5 - 10 bar	3 W = / 5 VA ~	0,49 kg
MNH 511 701 VES NPT	comb. spring	1/4" NPT	1250 l/min	2,5 - 10 bar	3 W = / 5 VA ~	0,57 kg
MNH 511 701 KES NPT	comb. spring	1/4" NPT	1250 l/min	2,5 - 10 bar	3 W = / 5 VA ~	0,49 kg
MNH 520 701 VES NPT	double sol.	1/4" NPT	1250 l/min	2 - 10 bar	3 W = / 5 VA ~	0,67 kg
MNH 520 701 KES NPT	double sol.	1/4" NPT	1250 l/min	2 - 10 bar	3 W = / 5 VA ~	0,58 kg

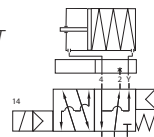
MNH 350 701 VES/MNH 350 701 KES MNH 351 701 VES/MNH 351 701 KES



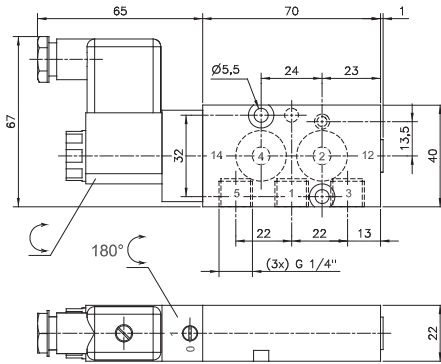
MNH 350 701 VES/KES
MNH 350 701 VES/KES NPT
on double acting act.



MNH 350 701 VES/KES
MNH 350 701 VES/KES NPT
and Flex-Pack
on single acting act.

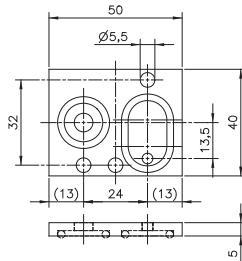


MNH 351 701 VES/KES
MNH 351 701 VES/KES NPT
and Flex-Pack
on single acting act.



**MNH 350 701 VES/KES
MNH 351 701 VES/KES**

**MNH 350 701 VES/KES NPT
MNH 351 701 VES/KES NPT**



FP 701 K/FP 701 VES



5/2-way solenoid valve, actuated by permanent signal. Interface according to 1/4" Namur standard. Adding the „Flex-Pack“, converts the valve into a 3/2-way-Namur-valve with exhaust-air recirculation ("purge").

MNH 350 701 with pneumatic spring return,
MNH 351 701 with combined spring.

Body parts are made from stainless steel 316L / 1.4404. Customer has the choice between two versions VES and KES, for details refer to the table below.

Valves are available with solenoid operators:
230V/50Hz, 110V/50Hz, 24V/50Hz, 48V=,
24V-, 12V=

Valves are generally equipped with manual override.

Delivery includes 1 pin, 2 screws, 2 O-rings.

Instead of the Flex-Pack the „Flex-regulator“ Type DRF 601 converts the function of the valve and offers the possibility to control opening- and closing-speed of a spring-return actuator independently.

Delivery of FP 701 K includes longer screws, seals as well as a plug to close port 3 of the valve.

Delivery of FP 701 VES includes longer screws and seals.

Type Pilot head Seals Other rubber parts

VES 1.4404 PUR FKM

KES PA PUR FKM

Type Material Orifice 4 Orifice 2-3 Weight

FP 701 K PA 7 mm 4 mm 0,012 kg

FP 701 VES 1.44.04 7 mm 4 mm 0,025 kg

Type Function Port size Air flow Oper. press. Power Cons. Weight

MNH 350 701 VES air-spring G 1/4" 1250 l/min 1,5 - 10 bar 3 W = / 5 VA ~ 0,57 kg ❄️⊕

MNH 350 701 KES air-spring G 1/4" 1250 l/min 1,5 - 10 bar 3 W = / 5 VA ~ 0,49 kg

MNH 351 701 VES comb. spring G 1/4" 1250 l/min 2,5 - 10 bar 3 W = / 5 VA ~ 0,57 kg ❄️

MNH 351 701 KES comb. spring G 1/4" 1250 l/min 2,5 - 10 bar 3 W = / 5 VA ~ 0,49 kg

MNH 350 701 VES NPT air-spring 1/4" NPT 1250 l/min 1,5 - 10 bar 3 W = / 5 VA ~ 0,57 kg ❄️⊕

MNH 350 701 KES NPT air-spring 1/4" NPT 1250 l/min 1,5 - 10 bar 3 W = / 5 VA ~ 0,49 kg

MNH 351 701 VES NPT comb. spring 1/4" NPT 1250 l/min 2,5 - 10 bar 3 W = / 5 VA ~ 0,57 kg ❄️

MNH 351 701 KES NPT comb. spring 1/4" NPT 1250 l/min 2,5 - 10 bar 3 W = / 5 VA ~ 0,49 kg