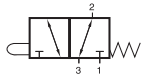
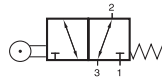


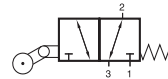
BV/BR/BL 311 201



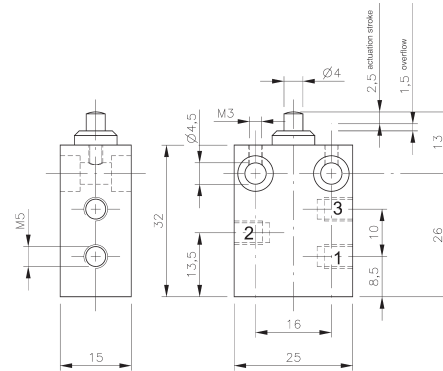
BV 311 201



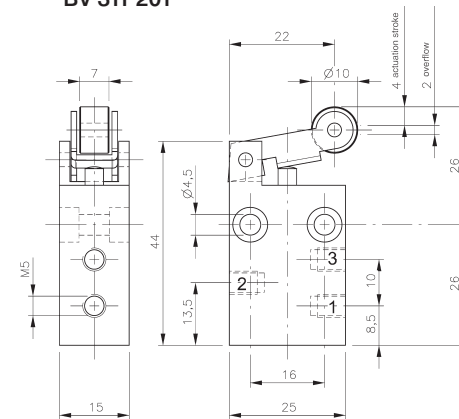
BR 311 201



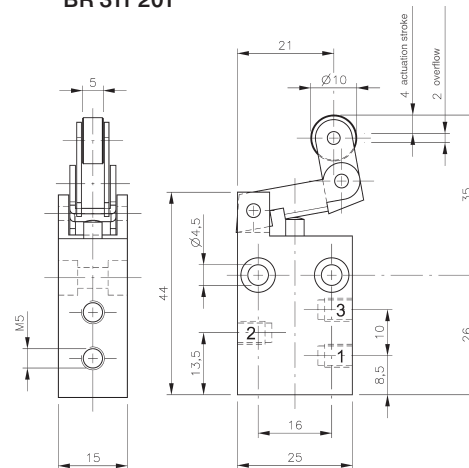
BL 311 201



BV 311 201



BR 311 201



BL 311 201

Mechanically actuated 3/2-way spool valve with mechanical spring. All ports are on the side of the valve.

If pressure is applied to port 1 the function is normally closed.

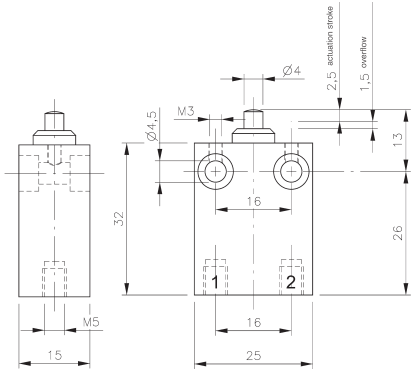
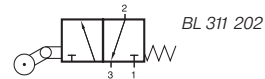
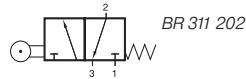
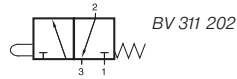
If pressure is applied to port 3 the function is normally open.

The use of the ports is interchangeable.

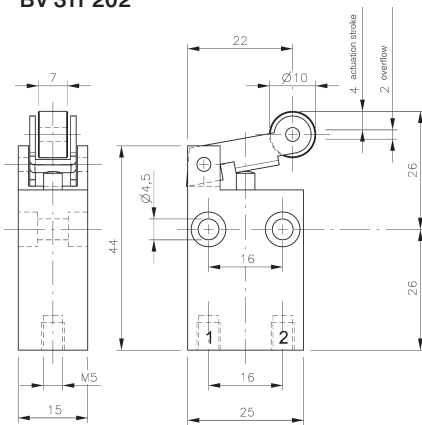
Exhaust can be throttled.

Valves can be used for technical vacuum too.

| Type | Port size | Air flow | Operating press. | Actuating force | Weight |
|------------|-----------|-----------|------------------|-----------------|----------|
| BV 311 201 | M5 | 125 l/min | -0,9 - 10 bar | 14 N | 0,033 kg |
| BR 311 201 | M5 | 125 l/min | -0,9 - 10 bar | 9 N | 0,041 kg |
| BL 311 201 | M5 | 125 l/min | -0,9 - 10 bar | 9 N | 0,044 kg |



BV 311 202



Mechanically actuated 3/2-way spool valve with mechanical spring.

All ports are at the bottom of the valve.

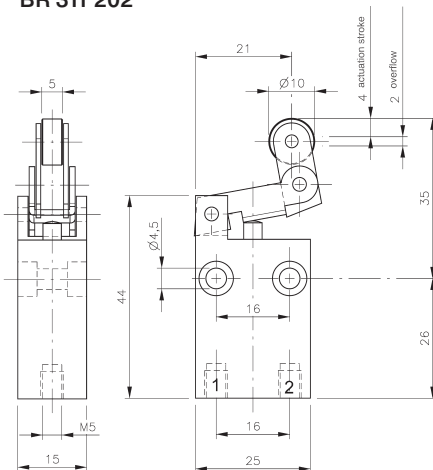
Function is normally closed. When operated the valve opens from 1 to 2.

Exhaust through stem.

Normally open versions can be delivered on request.

Valves can be used for technical vacuum too.

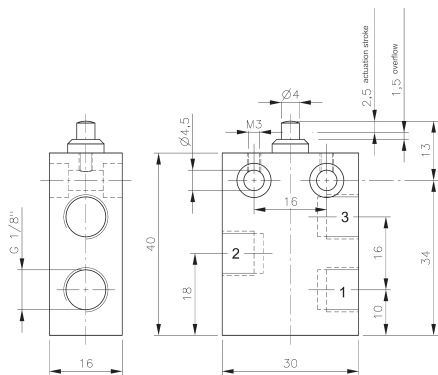
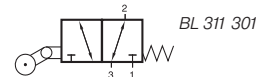
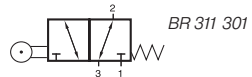
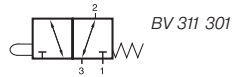
BR 311 202



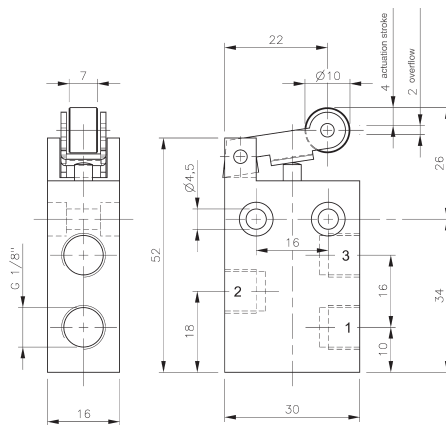
BL 311 202

| Type | Port size | Air flow | Operating press. | Actuating force | Weight |
|------------|-----------|-----------|------------------|-----------------|----------|
| BV 311 202 | M5 | 115 l/min | -0,9 - 10 bar | 14 N | 0,033 kg |
| BR 311 202 | M5 | 115 l/min | -0,9 - 10 bar | 9 N | 0,041 kg |
| BL 311 202 | M5 | 115 l/min | -0,9 - 10 bar | 9 N | 0,044 kg |

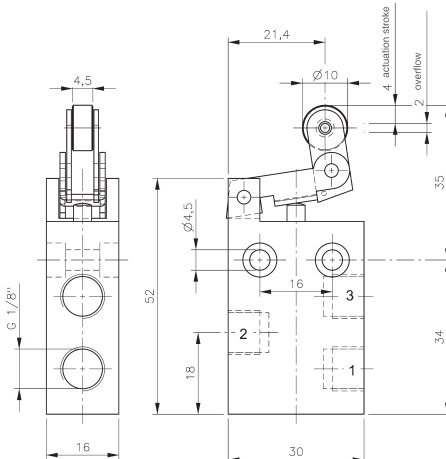
BV/BR/BL 311 301



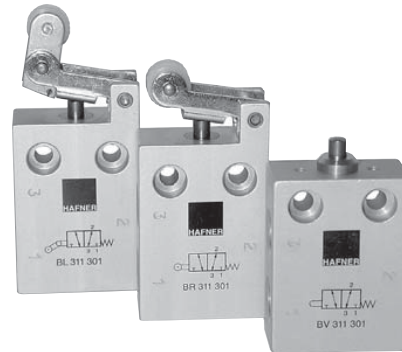
BV 311 301



BR 311 301



BL 311 301



Mechanically actuated 3/2-way spool valve with mechanical spring. All ports are on the side of the valve.

If pressure is applied to port 1 the function is normally closed.

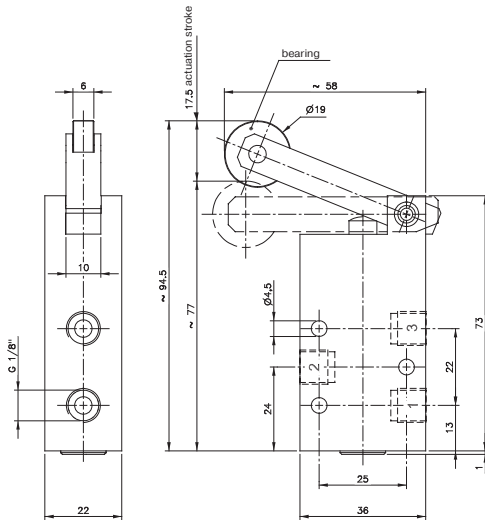
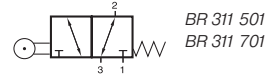
If pressure is applied to port 3 the function is normally open.

The use of the ports is interchangeable.

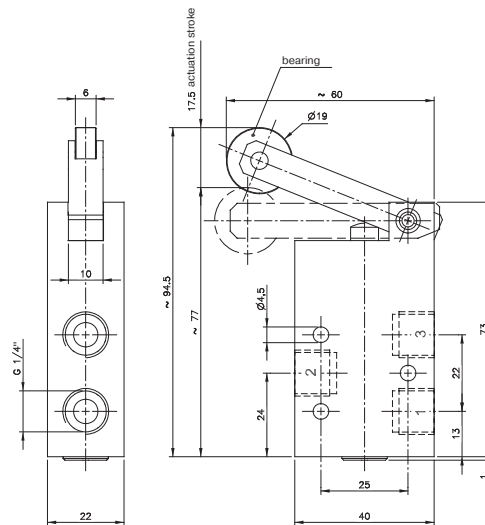
Exhaust can be throttled.

Valves can be used for technical vacuum too.

| Type | Port size | Air flow | Operating press. | Actuating force | Weight |
|------------|-----------|-----------|------------------|-----------------|----------|
| BV 311 301 | G 1/8" | 280 l/min | -0,9 - 10 bar | 14 N | 0,047 kg |
| BR 311 301 | G 1/8" | 280 l/min | -0,9 - 10 bar | 10 N | 0,059 kg |
| BL 311 301 | G 1/8" | 280 l/min | -0,9 - 10 bar | 10 N | 0,061 kg |



BR 311 501



BR 311 701



Heavy-duty 3/2-way roller-lever spool valve with mechanical spring. High flow. Lever-construction has proven capabilities in rough environmental applications for decades.

If pressure is applied to port 1 the function is normally closed.

If pressure is applied to port 3 the function is normally open.

The use of the ports is interchangeable.

Exhaust can be throttled.

On request:
Roller-lever valves with idle return.

Low temperature version:
In this case the ports are not interchangeable, standard: Pressure at port 1 = normally closed, normally open version to be ordered separately.

Valves can be used for technical vacuum too.

| Type | Port size | Air flow | Operating press. | Actuating force | Weight |
|------------|-----------|------------|------------------|-----------------|------------|
| BR 311 501 | G 1/8" | 650 l/min | -0,9 - 10 bar | 3,5 N | 0,19 kg ❄️ |
| BR 311 701 | G 1/4" | 1250 l/min | -0,9 - 10 bar | 3,5 N | 0,20 kg ❄️ |