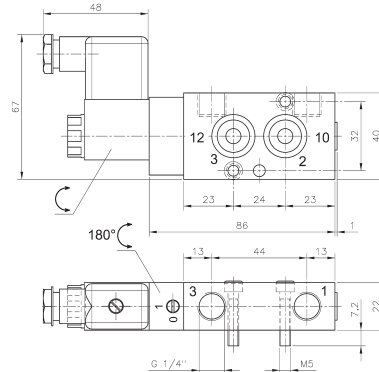
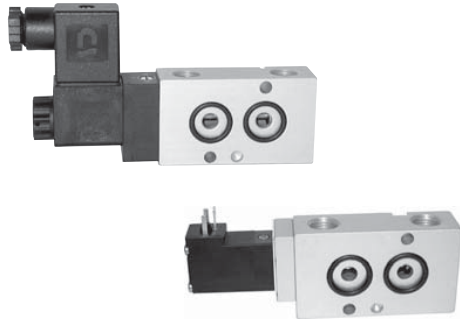


# MNH 310 701/MNH 310 711/MNH 311 701 MNOH 310 701/MNK 310 701/MNK 311 701



**MNH 310 701/MNH 311 701/MNOH 310 701  
MNH 310 701 NPT/MNH 311 701 NPT**

3/2-way solenoid valve, actuated by permanent signal. Interface according to 1/4" Namur standard, with exhaust air recirculation ("purge").

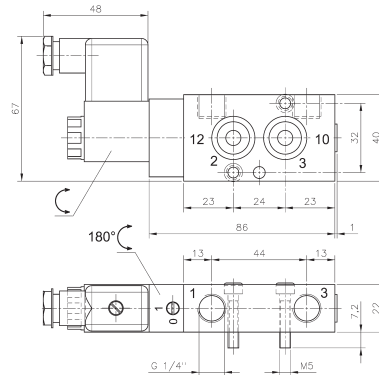
Type MNH 31\_7\_1 normally closed  
Type MNOH 31\_701 normally open  
Type MNK 31\_701 n.c. low power

MNH 310 701, MNH 310 711, MNOH 310 701 and MNK 310 701 with pneumatic spring return, MNH 311 701 and MNK 311 701 with combined spring assuring a fail-safe function.

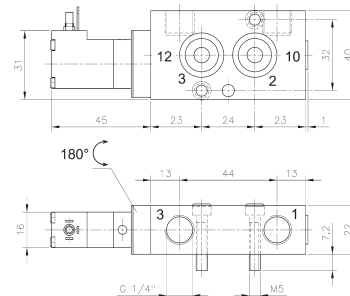
**MNH** generally with manual override to turn with actuators 230V/50Hz, 110V/50Hz, 24V/50Hz, 48V=, 24V=, 12V=.

**MNK** with manual override to push with actuators 230V/50Hz, 110V/50Hz, 24V/50Hz, 24V=, 12V=, 6V=

Delivery includes 1 pin, 2 screws and 2 O-rings.



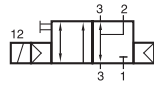
**MNH 310 711 ports 1 and 3 are swapped!**



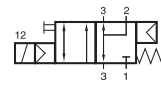
**MNK 310 701/MNK 311 701**

Type	Function	Port size	Air flow	Operating press.	Power cons.	Weight
MNH 310 701	n.c.	G 1/4"	1250 l/min	2 - 10 bar	3 W = / 5 VA ~	0,26 kg
MNOH 310 701	n.o.	G 1/4"	1250 l/min	2 - 10 bar	3 W = / 5 VA ~	0,26 kg
MNH 310 711	n.c.	G 1/4"	1250 l/min	2 - 10 bar	3 W = / 5 VA ~	0,26 kg
MNH 311 701	n.c.	G 1/4"	1250 l/min	2,5 - 10 bar	3 W = / 5 VA ~	0,26 kg
MNK 310 701	n.c.	G 1/4"	1250 l/min	2 - 10 bar	1,8 W = / 3 VA ~	0,21 kg
MNK 311 701	n.c.	G 1/4"	1250 l/min	2,5 - 10 bar	1,8 W = / 3 VA ~	0,21 kg
MNH 310 701 NPT	n.c.	1/4" NPT	1250 l/min	2 - 10 bar	3 W = / 5 VA ~	0,26 kg
MNH 311 701 NPT	n.c.	1/4" NPT	1250 l/min	2,5 - 10 bar	3 W = / 5 VA ~	0,26 kg

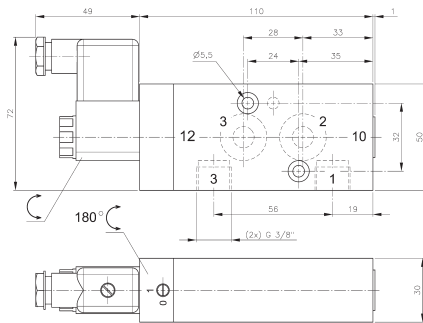
# MNH 310 101/MNH 311 101 MNH 310 121/MNH 311 121



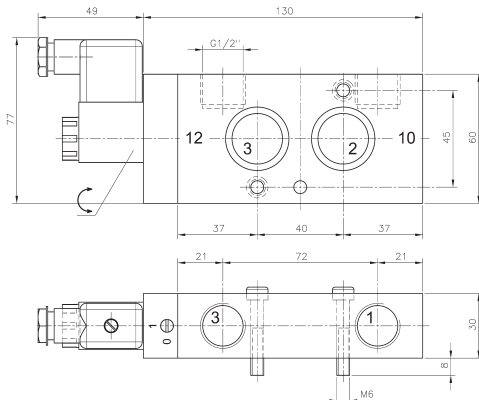
MNH 310 101  
MNH 310 121  
MNH 310 121 NPT



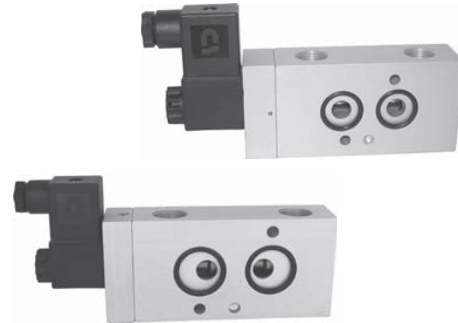
MNH 311 101  
MNH 311 121  
MNH 311 121 NPT



**MNH 310 101/MNH 311 101**



**MNH 310 121/MNH 311 121  
MNH 310 121 NPT/MNH 311 121 NPT**



3/2-way solenoid valve, actuated by permanent signal. Interface according to Namur standard, with exhaust air recirculation ("purge").

Type 101 according to 1/4" Namur standard  
Type 121 according to 1/2" Namur standard

MNH 310 101, MNH 310 121 with pneumatic spring return, MNH 311 101 and MNH 311 121 with combined spring assuring a fail-safe function.

Available with actuators:  
230V/50Hz, 110V/50Hz, 24V/50Hz, 48V=, 24V=, 12V=.

The valves are generally equipped with manual override to turn.

Delivery includes 1 pin, 2 screws, 2 O-rings.

Type	Namur	Port size	Air flow	Operating press.	Power cons.	Weight
MNH 310 101	1/4"	G 3/8"	2250 l/min	1,5 - 10 bar	3 W = / 5 VA ~	0,55 kg
MNH 311 101	1/4"	G 3/8"	2250 l/min	2,5 - 10 bar	3 W = / 5 VA ~	0,55 kg
MNH 310 121	1/2"	G 1/2"	3000 l/min	1,0 - 10 bar	3 W = / 5 VA ~	0,70 kg
MNH 311 121	1/2"	G 1/2"	3000 l/min	2,5 - 10 bar	3 W = / 5 VA ~	0,70 kg
MNH 310 121 NPT	1/2"	1/2" NPT	3000 l/min	1,0 - 10 bar	3 W = / 5 VA ~	0,70 kg
MNH 311 121 NPT	1/2"	1/2" NPT	3000 l/min	2,5 - 10 bar	3 W = / 5 VA ~	0,70 kg