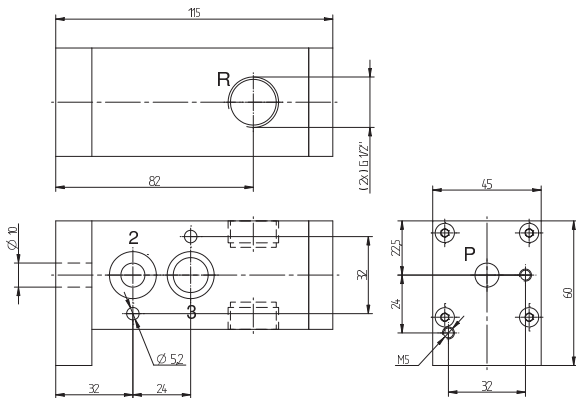


SENR 20



The valve is designed for fast closing of spring-return actuators with 1/4" Namur-interface.

Any 3/2-way valve can be used as pilot valve. The connection towards the pilot valve is either G 1/4" ported (type SENR 20) or for Namur-Valves with the 1/4" Namur-interface (SENR 207).



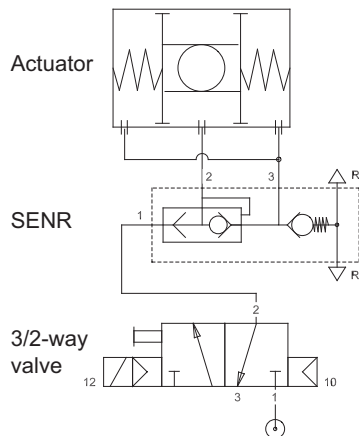
SENR 207

The block assures that only processed air that has been used to open the actuator is used in the spring-chamber (non-return-function). Excess air is released very fast by the quick-exhaust valve, exhaust-port G 1/2", orifice 10 mm. The non-return valve makes absolutely sure that no ambient atmosphere can be sucked into the actuator.

Two exhaust-ports R allow that the product can always be assembled so the silencer faces downwards.

Function:

Low-temperature version available on request.



Type	Namur	Port P	Port R	Air flow P to 2	Air flow exhaust	Pressure-range	Weight
SENR 20	1/4"	G 1/4"	G 1/2"	1250 l/min	2500 l/min	2 - 10 bar	0,54 kg
SENR 207	1/4"	1/4" Namur	G 1/2"	1250 l/min	2500 l/min	2 - 10 bar	0,56 kg