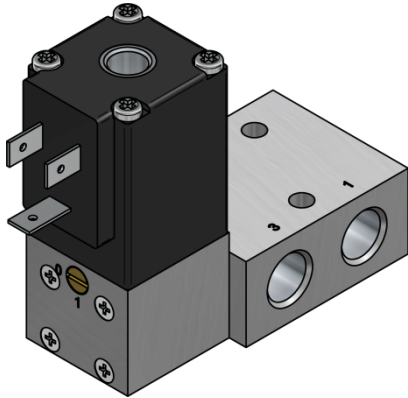


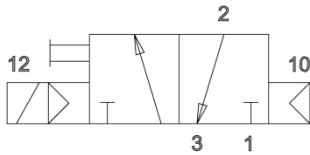
Solenoid-valves 24VDC with 0.5 Watt power-consumption



Based on the 1/8" and 1/4" range 501 and 701 Hafner offers a line of valves where the 24Volt DC solenoid system is only consuming 0.5 Watt.
Manual override to turn (momentary).

The solenoid can be added to any product of the 501 and 701 series, including the Namur-valves. Therefore we also offer the solenoid as a spare-part allowing the qualified distribution partners to change the valve-head.

Example: MH 310 709 24DC 0.5W



Function:

3/2-way valve with air-return
(combined spring on request)

Pressure-range:

2...10 bar

Orifice / flow:

7 mm / 1.250 NI

Port-size

G 1/4"

Temperature-range:

-10 ... +50°C

Electric connector:

Ind. B (22 mm)

Voltage:

24 VDC

Power-cons.:

0.5 Watt

