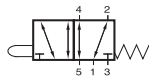
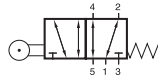


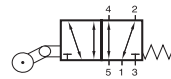
BV/BR/BL 511 201



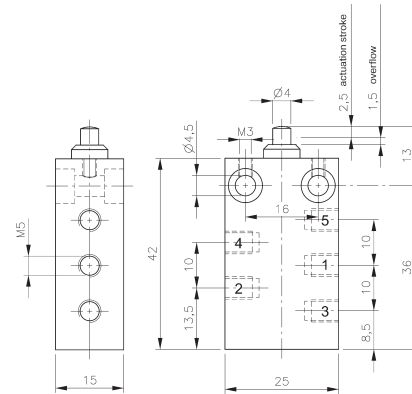
BV 511 201



BR 511 201



BL 511 201



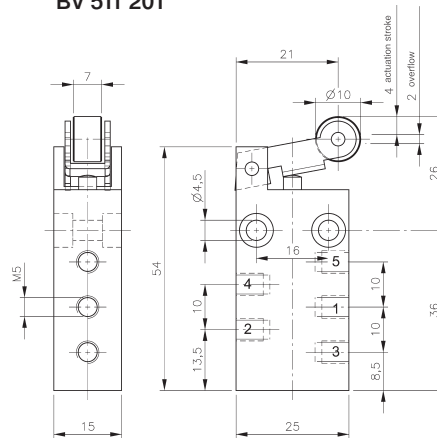
BV 511 201

Mechanically actuated 5/2-way spool valve with mechanical spring.

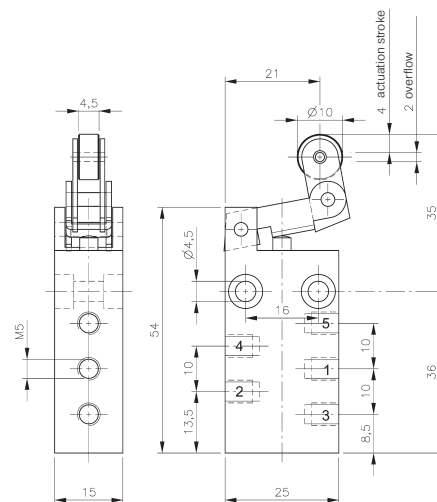
Normally open from 1 to 2 and from 4 to 5.
Operated open from 1 to 4 and 2 to 3.

Exhaust can be throttled.

Valves can be used for technical vacuum too.



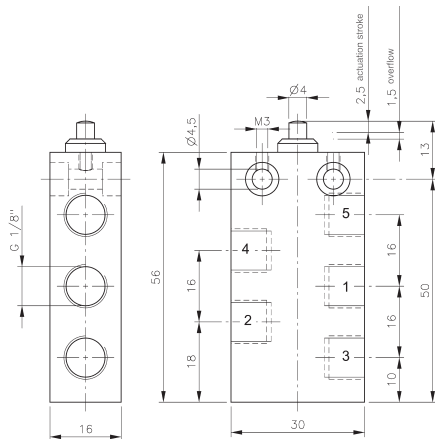
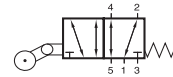
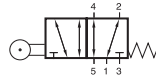
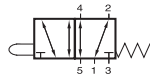
BR 511 201



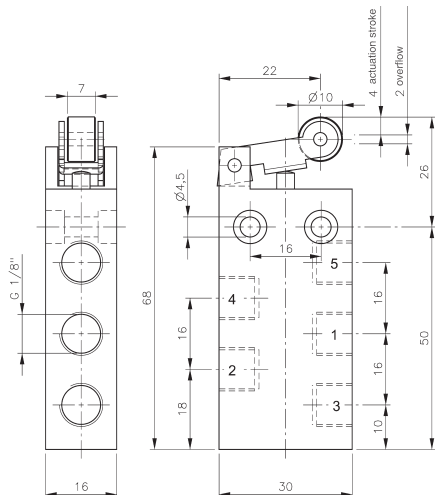
BL 511 201

| Type | Port size | Air flow | Operating press. | Actuating force | Weight |
|------------|-----------|-----------|------------------|-----------------|----------|
| BV 511 201 | M5 | 125 l/min | -0,9 - 10 bar | 14 N | 0,043 kg |
| BR 511 201 | M5 | 125 l/min | -0,9 - 10 bar | 9 N | 0,051 kg |
| BL 511 201 | M5 | 125 l/min | -0,9 - 10 bar | 9 N | 0,054 kg |

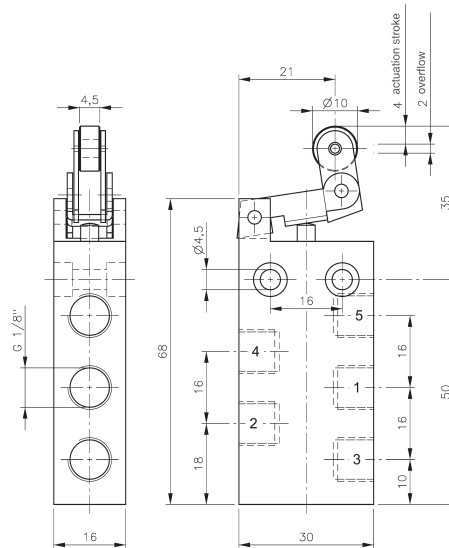
BV/BR/BL 511 301



BV 511 301



BR 511 301



BL 511 301

Mechanically actuated 5/2-way spool valve with mechanical spring.

Normally open from 1 to 2 and from 4 to 5.
Operated open from 1 to 4 and 2 to 3.

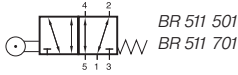
Exhaust can be throttled.

Valves can be used for technical vacuum too.

| Type | Port size | Air flow | Operating press. | Actuating force | Weight |
|------------|-----------|-----------|------------------|-----------------|----------|
| BV 511 301 | G 1/8" | 280 l/min | -0,9 - 10 bar | 14 N | 0,065 kg |
| BR 511 301 | G 1/8" | 280 l/min | -0,9 - 10 bar | 10 N | 0,077 kg |
| BL 511 301 | G 1/8" | 280 l/min | -0,9 - 10 bar | 10 N | 0,079 kg |



BR 511 501/BR 511 701



Heavy-duty 5/2-way roller-lever spool valve with mechanical spring. High flow especially for the trucking and railway industry. Lever-construction has proven capabilities in railway applications for decades.

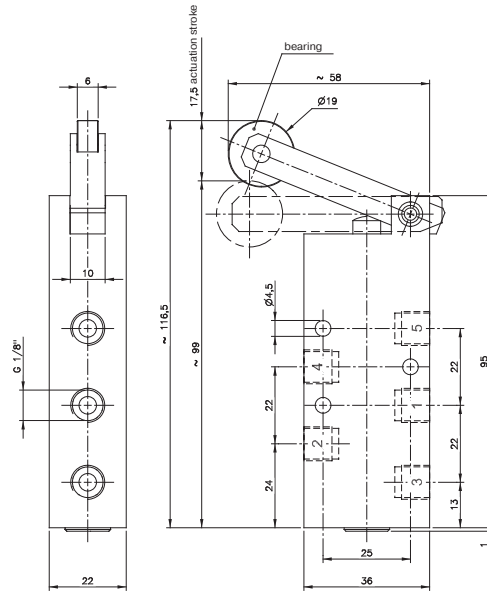
Normally open from 1 to 2 and 4 to 5.
Operated open from 1 to 4 and 2 to 3.

Exhaust can be throttled.

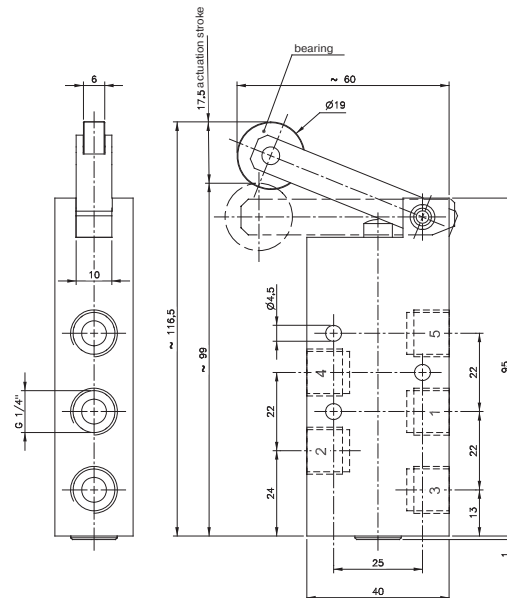
On request:
Roller-lever valves with idle return.

Low temperature version:
In this case the ports are not interchangeable,
standard: Pressure at port 1 = normally closed,
normally open version to be ordered separately.

Valves can be used for technical vacuum too.



BR 511 501



BR 511 701

| Type | Port size | Air flow | Operating press. | Actuating force | Weight | |
|------------|-----------|------------|------------------|-----------------|---------|----|
| BR 511 501 | G 1/8" | 650 l/min | -0,9 - 10 bar | 3,5 N | 0,23 kg | ❄️ |
| BR 511 701 | G 1/4" | 1250 l/min | -0,9 - 10 bar | 3,5 N | 0,25 kg | ❄️ |