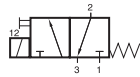


# MD 311 104/RD 3\_\_ 104/RD 3\_\_ 144



MD 311 104



System consisting of direct acting 3/2-way solenoid valves, normally closed, actuated by permanent signal and manifold plates for common pressure supply (1). Port 2 is in the plate, either threaded M5 or with 4 mm push-in fitting, exhaust through the operator tube, thread M3.

### Valves

Type MD 311 104:  
with electrical connection C ISO 15217, pins are 8 mm apart  
Type MD 311 104 L:  
with flying leads standard length 500 mm

Available with solenoid operators:  
230V/50Hz, 110V/50Hz, 24V/50Hz, 24V=,  
12V=, 6V=.  
For details about solenoid system, please refer to page 2.11.1.

Valves are generally equipped with manual override to push.

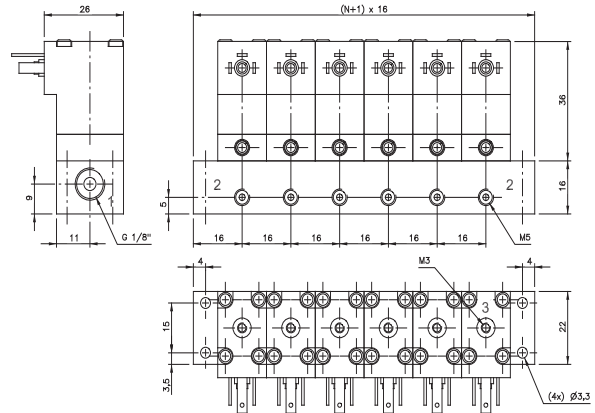
### Plates

RD 3\_\_ 104:  
with M5 at port 2 (add 2 digits for number of positions required)  
RD 3\_\_ 144:  
with pif 4 mm at port 2 (add 2 digits for number of positions required)

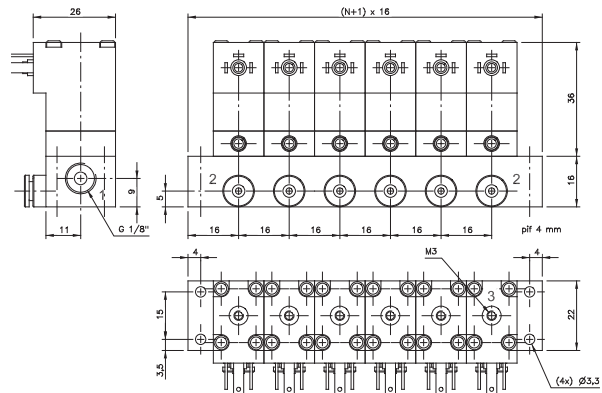
Plates are available with 2, 3, 4, 5, 6, 8, 10 and 12 positions, others on request.

Products are to be ordered individually but system will be delivered fully assembled.

Versions with common electrical connection (terminals) are displayed on page 2.7.2.1



MD 311 104/RD 3\_\_ 104

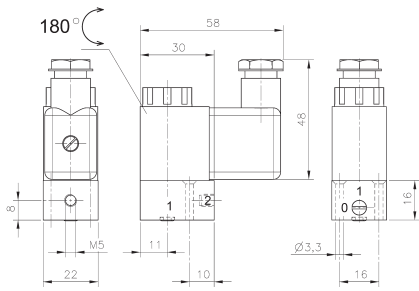


MD 311 104/RD 3\_\_ 144

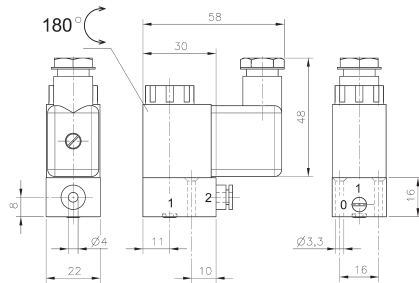
Valves can be used for technical vacuum too.

Type	Port size	Air flow	Operating press.	Power consumption	Weight
MD 311 104	form C, 8 mm pin	30 l/min	-0,9 - 10 bar	1,8 W = / 3,0 VA ~	0,06 kg
MD 311 104 L	flying leads	30 l/min	-0,9 - 10 bar	1,8 W = / 3,0 VA ~	0,07 kg

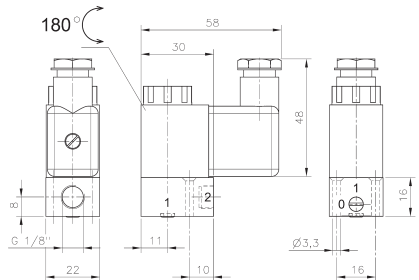
# MH 312/MH 314/MH 315/MH 316/MX 315



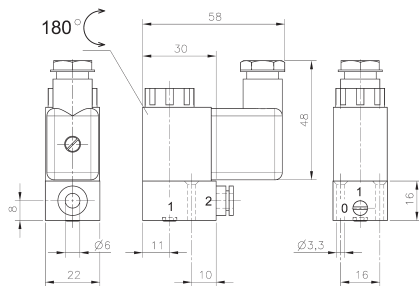
**MH 312**



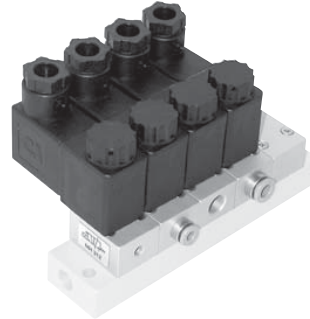
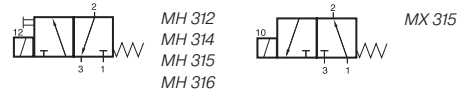
**MH 314**



**MH 315/MX 315**



**MH 316**



System consisting of direct actuated 3/2 way solenoid valves actuated by permanent signal and a manifold plate for common pressure supply (1). Exhaust through the operator tube.

**Type MH:**

Normally closed with manual override to turn. Exhaust at the top of the operator tube, ported M5. Common exhaust line to be assembled on the top using banjo joints is available on request.

**Type MX:**

Normally open, no manual override, 8 mm longer operator system than in drawing. Exhaust is a hole on the top of the operator tube.

Available with solenoid operators 230V/50 Hz, 110V/50 Hz, 24V/50 Hz, 48V=, 24V=. 12V=.

Different types of valves can be mixed on one plate.

Manifolds are displayed on page 2.6.1.1.

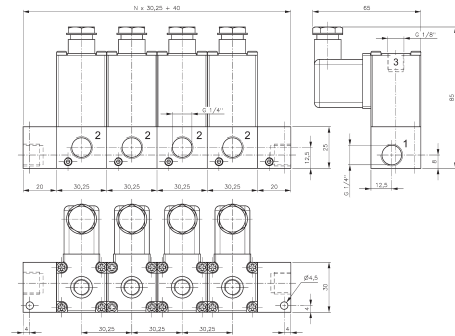
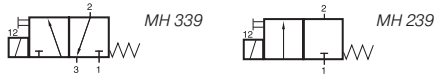
Blanking plates are also available: Type no. BP 3.

Mounting screws and seals are included.

Valves can be used for technical vacuum too.

Type	Port 2	Air flow	Operating press.	Power consumption	Weight
MH 312	M5	40 l/min	-0,9 - 10 bar	3 W = / 5 VA ~	0,13 kg
MH 314	pif 4 mm	40 l/min	-0,9 - 10 bar	3 W = / 5 VA ~	0,13 kg
MH 315	G 1/8"	50 l/min	-0,9 - 10 bar	3 W = / 5 VA ~	0,13 kg
MH 316	pif 6 mm	50 l/min	-0,9 - 10 bar	3 W = / 5 VA ~	0,13 kg
MX 315	G 1/8"	50 l/min	-0,9 - 10 bar	3 W = / 5 VA ~	0,14 kg

# MH 339/MH 239/R 33 R/R 33 L

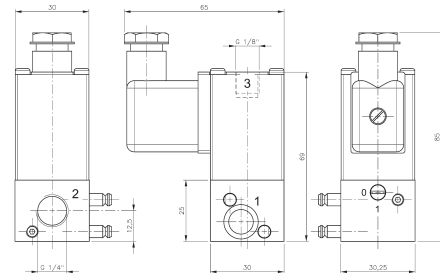


Modular system MH 339/MH 239

Modular system consisting of direct acting 3/2-way or 2/2-way solenoid valves normally closed, actuated by permanent signal and endplates for common pressure supply (1). Port 2 is in the valve, G 1/4", exhaust through the operator tube, thread G 1/8".  
By opening 2 hexagonsocket screws at the bodies the system can be taken apart at any point and valves can be added or taken away.

**Valves:**

Type MH 339: 3/2-way – drawings show 3/2-way valves  
Type MH 229: 2/2-way – 2/2-way without port 3  
Orifice size: 3 mm, max. pressure: 7 bar.



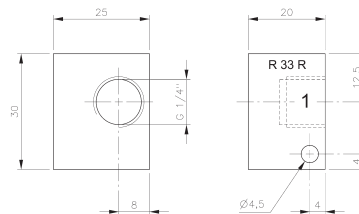
Individual valve MH 339/MH 239

Available with solenoid operators:  
230V/50Hz, 24V/50Hz, 24V=  
Connector Industry B (22 mm).

Valves are generally equipped with manual override.

The system consists of:

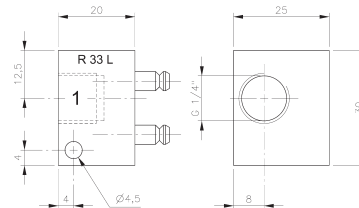
- End-plate right                   type R 33 R
- End-plate left                   type R 33 L
- Individual valve 3/2-way       type MH 339
- Individual valve 2/2-way       type MH 229



End-plate right R 33 R

The end-plates can be equipped with DIN-rail mounting clips. For details, please refer to page 2.6.3.

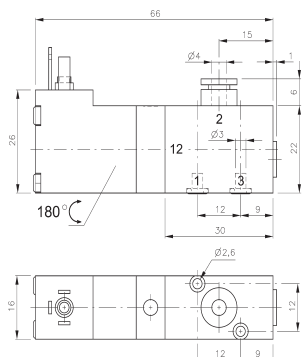
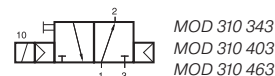
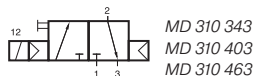
Products are to be ordered individually but system can be delivered fully assembled.



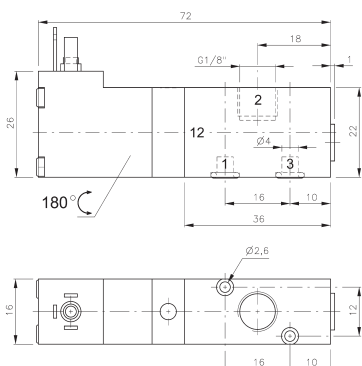
End-plate left R 33 L

Type	Ways	Function	Port size			Air flow	Operating Power		Weight
			1	2	3		pressure	consumption	
MH 339	3/2	n.c.	G 1/4"	G 1/8"		300 l/min	0 - 7 bar	7,5 W = /8,5 VA	~ 0,18 kg
MH 239	2/2	n.c.	G 1/4"			300 l/min	0 - 7 bar	7,5 W = /8,5 VA	~ 0,18 kg
R 33 R		end-plate right	G 1/4"						0,04 kg
R 33 L		end-plate left	G 1/4"						0,04 kg

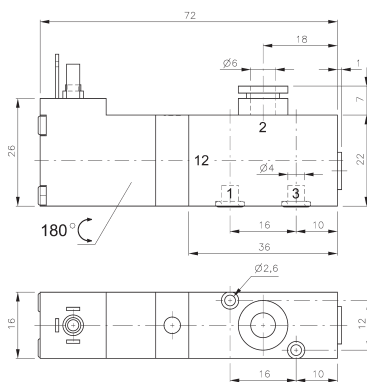
# MD 310 343/MD 310 403/MD 310 463 MOD 310 343/MOD 310 403/MOD 310 463



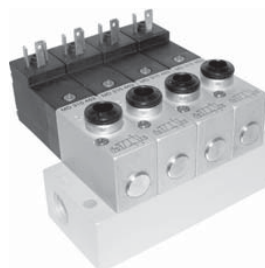
**MD 310 343/MOD 310 343**



**MD 310 403/MOD 310 403**



**MD 310 463/MOD 310 463**



3/2-way solenoid valve normally closed (MD) or normally open (MOD) for assembling on a manifold plate. Port 2 in the valve.

Available with solenoid operators:  
230V/50Hz, 110V/50Hz, 24V/50Hz, 24V=, 12V=, 6V= either for connector form C ISO 15217 or with flying leads, standard cable length 500 mm. For details about solenoid system, please refer to page 2.11.1.

Valves are generally equipped with manual override to push.

Manifolds are displayed on page 2.6.1.2.

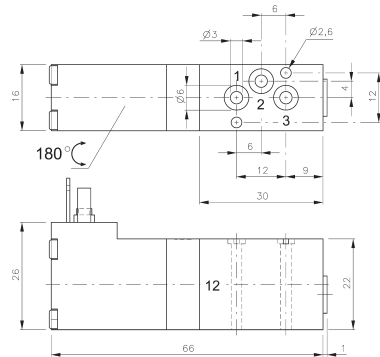
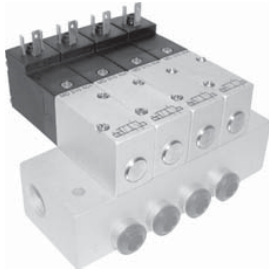
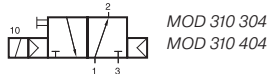
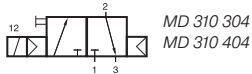
Valves normally open and normally closed can be mixed on one manifold plate!

Blanking plates are also available type BP 3 303 or BP 3 403.

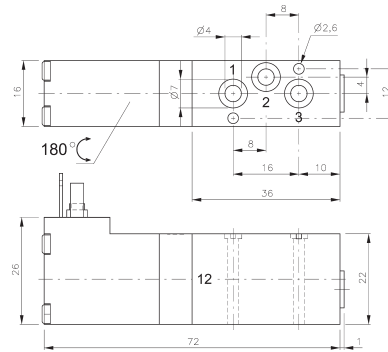
Mounting screws and seals are included.

Type	Function	Port size	Air flow	Operating press.	Power consumption	Weight
MD 310 343	n.c.	pif 4 mm	280 l/min	3 - 10 bar	1,8 W = / 3,0 VA ~	0,08 kg
MD 310 403	n.c.	G 1/8"	450 l/min	3 - 10 bar	1,8 W = / 3,0 VA ~	0,09 kg
MD 310 463	n.c.	pif 6 mm	450 l/min	3 - 10 bar	1,8 W = / 3,0 VA ~	0,09 kg
MOD 310 343	n.o.	pif 4 mm	280 l/min	3 - 10 bar	1,8 W = / 3,0 VA ~	0,08 kg
MOD 310 403	n.o.	G 1/8"	450 l/min	3 - 10 bar	1,8 W = / 3,0 VA ~	0,09 kg
MOD 310 463	n.o.	pif 6 mm	450 l/min	3 - 10 bar	1,8 W = / 3,0 VA ~	0,09 kg

# MD 310 304/MD 310 404 MOD 310 304/MOD 310 404



**MD 310 304/MOD 310 304**



**MD 310 404/MOD 310 404**

3/2-way solenoid valve normally closed (MD) or normally open (MOD) for assembling on a manifold plate. All the ports are in the plate.

Available with solenoid operators: 230V/50Hz, 110V/50Hz, 24V/50Hz, 24V=, 6V= either for connector form C ISO 15217 or with flying leads, standard cable length 500 mm. For details about solenoid system, please refer to page 2.11.1.

Valves are generally equipped with manual override to push.

Manifolds are displayed on page 2.6.1.3.

Valves normally open and normally closed can be mixed on one manifold plate!

Blanking plates are also available type BP 3 304 or BP 3 404.

Mounting screws and seals are included.

Type	Function	Air flow	Operating press.	Power consumption	Weight
MD 310 304	n.c.	280 l/min	3 - 10 bar	1,8 W = / 3,0 VA ~	0,08 kg
MD 310 404	n.c.	450 l/min	3 - 10 bar	1,8 W = / 3,0 VA ~	0,09 kg
MOD 310 304	n.o.	280 l/min	3 - 10 bar	1,8 W = / 3,0 VA ~	0,08 kg
MOD 310 404	n.o.	450 l/min	3 - 10 bar	1,8 W = / 3,0 VA ~	0,09 kg