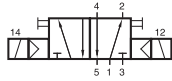
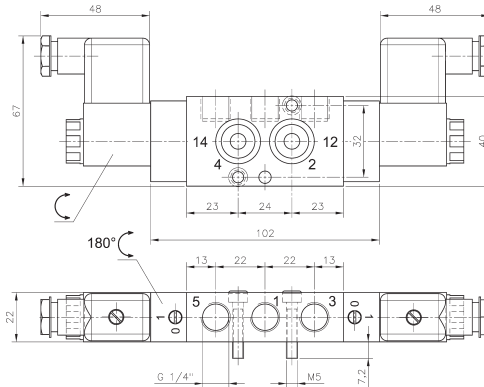
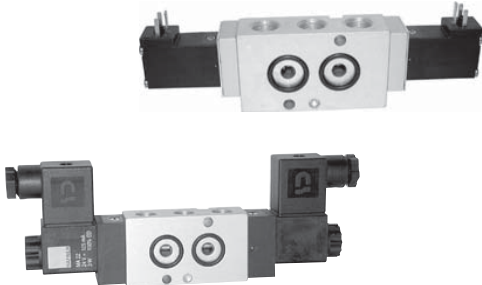


MNH 520 701/MNH 520 101/MNH 520 121 MNK 520 701



MNH 520 701
MNH 520 101
MNH 520 121
MNK 520 701
MNH 520 701 NPT
MNH 520 121 NPT



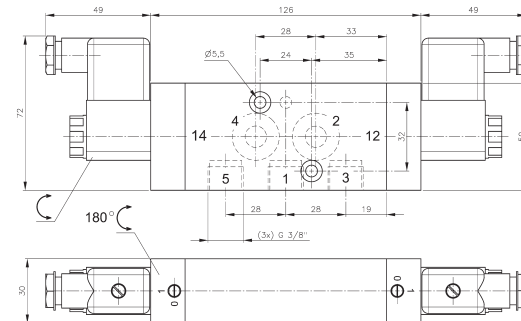
MNH 520 701/MNH 520 701 NPT

5/2-way solenoid valve actuated by impulse. Position is kept until next electrical signal even when not attached to electrical source. Interface according to Namur standard.

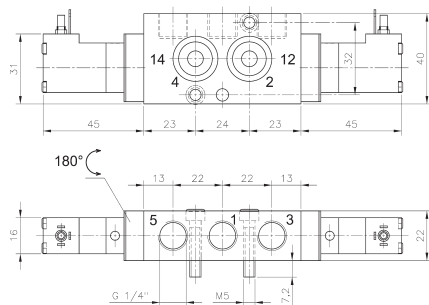
MNH generally with manual override to turn with actuators 230V/50Hz, 110V/50Hz, 24V/50Hz, 48V=, 24V=, 12V=.

MNK with manual override to push with actuators 230V/50Hz, 110V/50Hz, 24V/50Hz, 24V=, 12V=, 6V=.

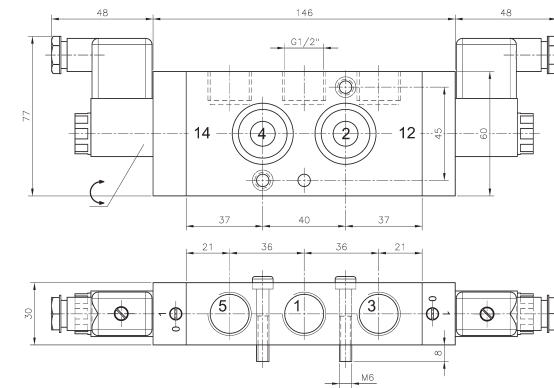
Delivery includes 1 pin, 2 screws, 2 O-rings.



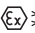





MNH 520 101



MNK 520 701



MNH 520 121/MNH 520 121 NPT

Type	Namur	Port size	Air flow	Operating press.	Power cons.	Weight
MNH 520 701	1/4"	G 1/4"	1250 l/min	2 - 10 bar	3 W = / 5 VA ~	0,35 kg  
MNH 520 101	1/4"	G 3/8"	2250 l/min	1,5 - 10 bar	3 W = / 5 VA ~	0,84 kg 
MNH 520 121	1/2"	G 1/2"	3000 l/min	1,0 - 10 bar	3 W = / 5 VA ~	0,87 kg 
MNK 520 701	1/4"	G 1/4"	1250 l/min	2 - 10 bar	1,8 W = / 3 VA ~	0,31 kg 
MNH 520 701 NPT	1/4"	1/4" NPT	1250 l/min	1,5 - 10 bar	3 W = / 5 VA ~	0,35 kg 
MNH 520 121 NPT	1/2"	1/2" NPT	3000 l/min	1,0 - 10 bar	3 W = / 5 VA ~	0,87 kg 