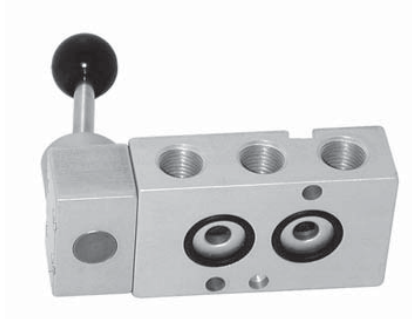
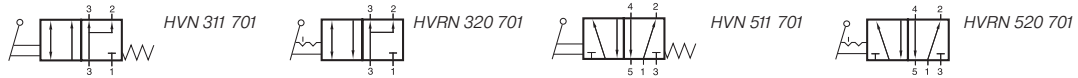


HVN 311 701/HVRN 320 701 HVN 511 701/HVRN 520 701



Lever actuated spool valves with 1/4" Namur interface. 4 versions are offered:

- HVN 311 701 3/2-way, normally closed with spring return
- HVRN 320 701 3/2-way, normally closed, indexed
- HVN 511 701 5/2-way with spring return
- HVRN 520 701 5/2-way indexed

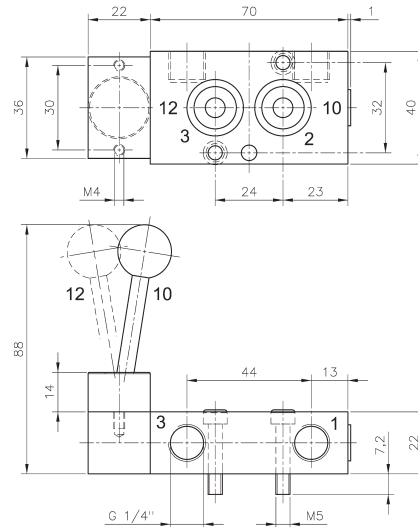
3/2-way valves are normally closed and offer exhaust air recirculation („purge“).

The lever is sealed by using a metal ball.

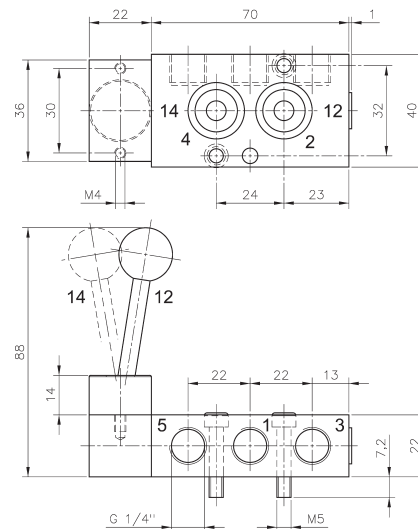
Exhaust can be throttled.

Delivery includes 1 pin, 2 screws, 2 O-rings.

NPT ported versions and 5/3-way valves are available on request.



HVN 311 701/HVRN 320 701



HVN 511 701/HVRN 520 701

Type	Function	Port size	Air flow	Operating press.	Actuating force	Weight
HVN 311 701	3/2-way spring	G 1/4"	1250 l/min	1 - 10 bar	20 N	0,24 kg
HVRN 320 701	3/2-way indexed	G 1/4"	1250 l/min	1 - 10 bar	20 N	0,24 kg
HVN 511 701	5/2-way spring	G 1/4"	1250 l/min	1 - 10 bar	20 N	0,24 kg
HVRN 520 701	5/2-way indexed	G 1/4"	1250 l/min	1 - 10 bar	20 N	0,24 kg