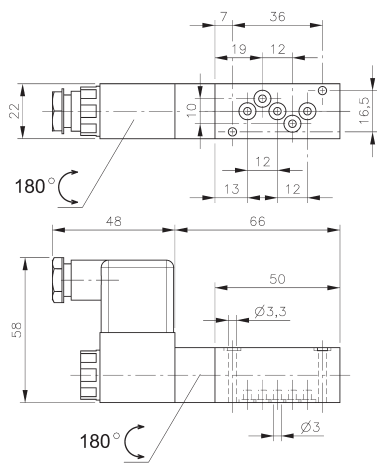
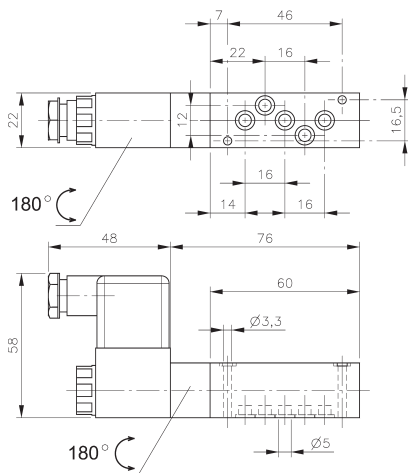


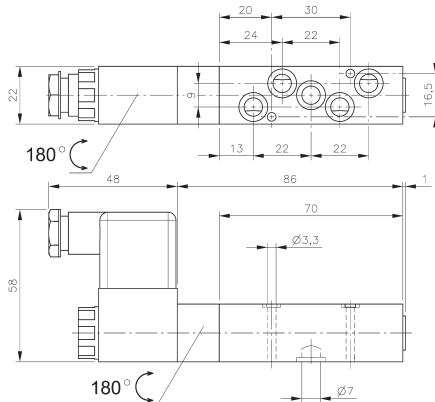
MH 510 304 TT / MH 510 504 TT MH 510 704 TT



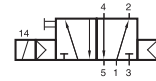
MH 510 304 TT



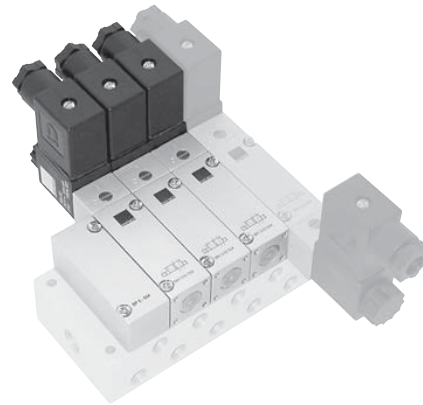
MH 510 504 TT



MH 510 704 TT



MH 510 304 TT
MH 510 504 TT
MH 510 704 TT



5/2-way single solenoid valve equipped with air spring return for low temperature environment - 50° C to + 50° C.

All the ports are in the plate, plates are displayed on page 2.6.2.7 and 2.6.2.8.

Available with solenoid operators
230V/50 Hz, 110V/50 Hz, 24V/50 Hz, 48V=,
24V=, 12V=.

Valves are equipped with manual override to turn.

Please notice:
When operated below 0°C the pressure condensation point has to be at least 15°C below the temperature of environment and media. Air has to be dried!

Below - 40° C the leakage-rate of the valve can increase to 10 cm³ /min.
Use unlubricated air only.

Mounting screws and seals are included.

Type	Port size	Air flow	Operating press.	Power consumption	Weight
MH 510 304 TT	Ø 3 mm	220 l/min	2 - 10 bar	3 W = / 5 VA ~	0,20 kg
MH 510 504 TT	Ø 5 mm	650 l/min	2 - 10 bar	3 W = / 5 VA ~	0,21 kg
MH 510 704 TT	Ø 7 mm	1250 l/min	2 - 10 bar	3 W = / 5 VA ~	0,22 kg