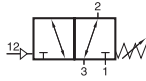
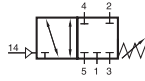


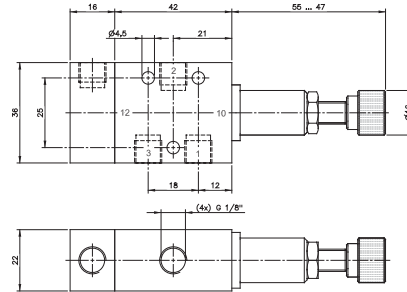
# P 311 501 SR/P 411 701 SR P 411 701 SR NPT



P311 501 SR



P 411 701 SR  
P 411 701 SR NPT

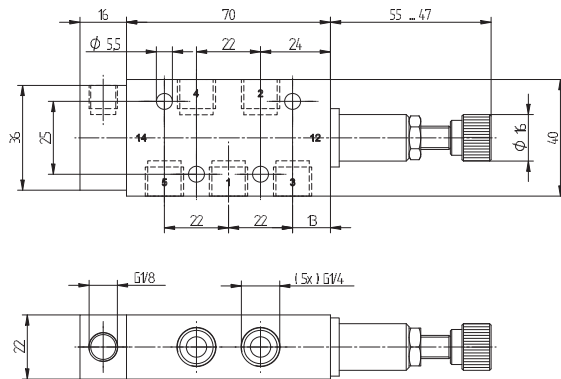


P 311 501 SR

**P 311 501 SR** pneumatically actuated 3/2-way valve with mechanical spring return. Valve can be used normally closed (pressure at port 1) and normally open (pressure at port 3). Can also be used as 2/2-way valve. Unused port to be closed with a silencer or plug.

**P 411 701 SR** pneumatically actuated 4/2-way valve with mechanical spring return. Valve either blocks all ports or is open from 1 to 4 and from 3 to 2. Port 5 is a vent port and should have a silencer installed, do not plug.

Valve can be used as an **adjustable pneumatic pressure switch**. By turning the hand-wheel the required minimum actuation pressure can be set between 3 and 6 bar. Adjustment is not independent from operation pressure.



P 411 701 SR/P 411 701 SR NPT

Type	Port size	Air flow	Operating press.	Regulating range act. press.	Max. act. press.	Weight
P 311 501 SR	G 1/8"	650 l/min	2 - 10 bar	3 - 6 bar	10 bar	0,16 kg
P 411 701 SR	G 1/4"	1250 l/min	2 - 10 bar	3 - 6 bar	10 bar	0,21 kg
P 411 701 SR NPT	1/4" NPT	1250 l/min	2 - 10 bar	3 - 6 bar	10 bar	0,21 kg