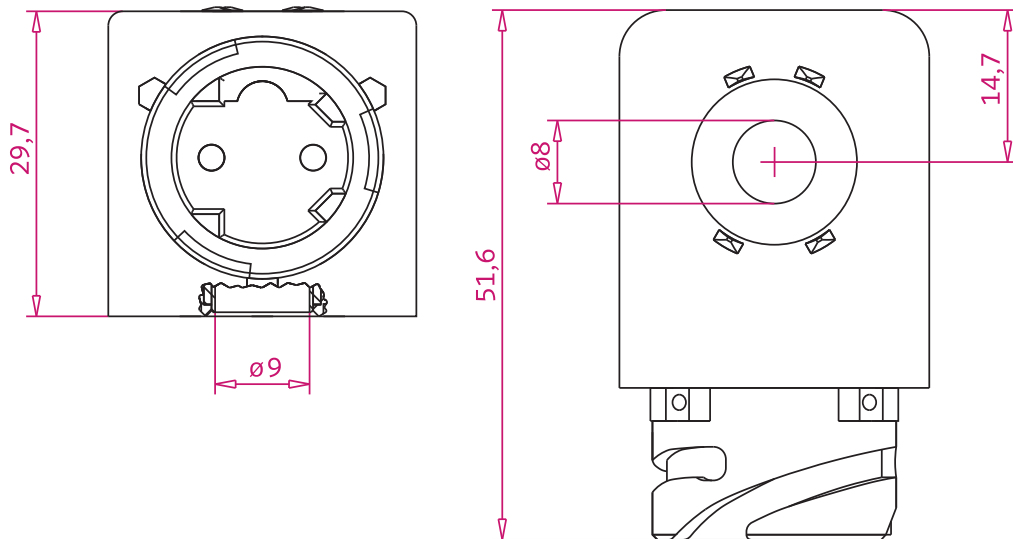


## SOLENOID COIL

Width: 30 mm  
 Connection type: bayonet (precision control DIN 72585)  
 Moulding material: Thermoplast

### General Data

Voltage tolerance ..... ± 10 %  
 Ambient temperature ..... - 40 °C to + 50 °C  
 Relative duty cycle ..... 100 %  
 Degree of protection with connector according to EN 60529 ..... IP 6K 9K  
 Imprint ..... *nass magnet* (customer imprint possible)  
 Class of protection ..... III



### Technical Data Standard Versions

Part No.	Voltage [V]	Output [W]	[VA]	Power Level	$\Delta\theta_{32}$ [K] <sup>32</sup>
108-030-0256	24 DC	4,5		5	60

$\Delta\theta_{32}$  [K]: steady-state over-temperature according to VDE 0580